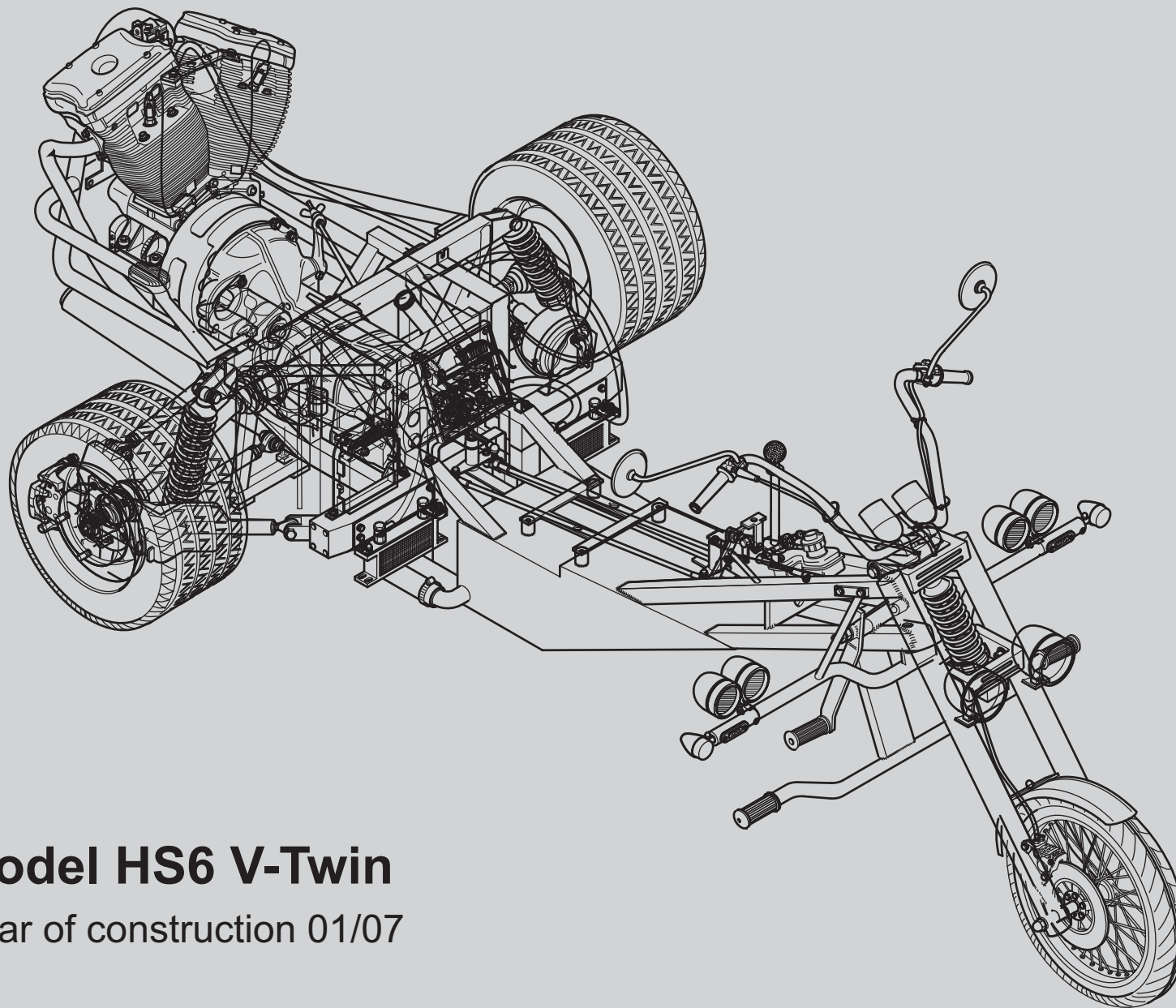




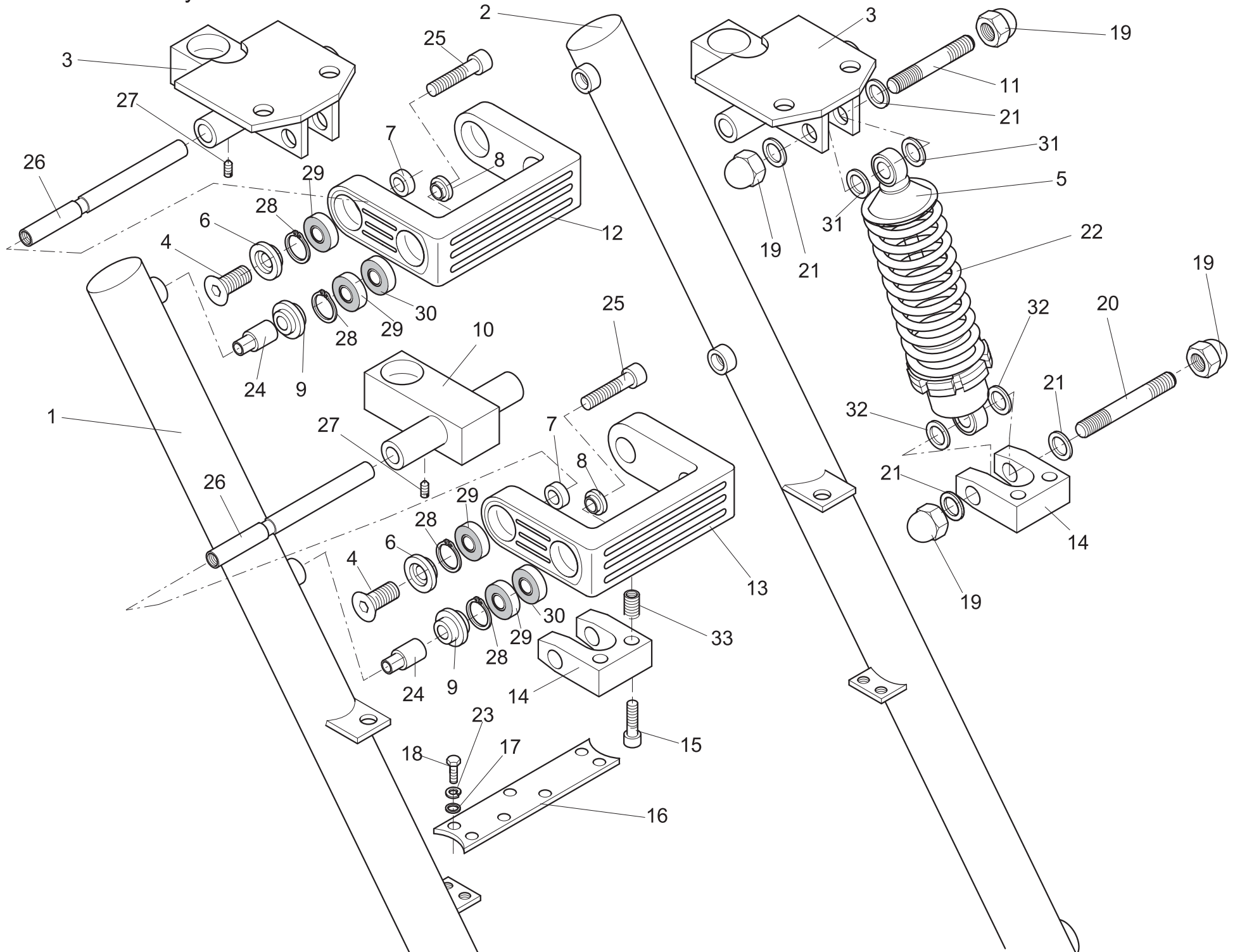
**rewaco**<sup>®</sup> *refreshes your life.*



## **Model HS6 V-Twin**

Year of construction 01/07

# Assembly Instructions 01



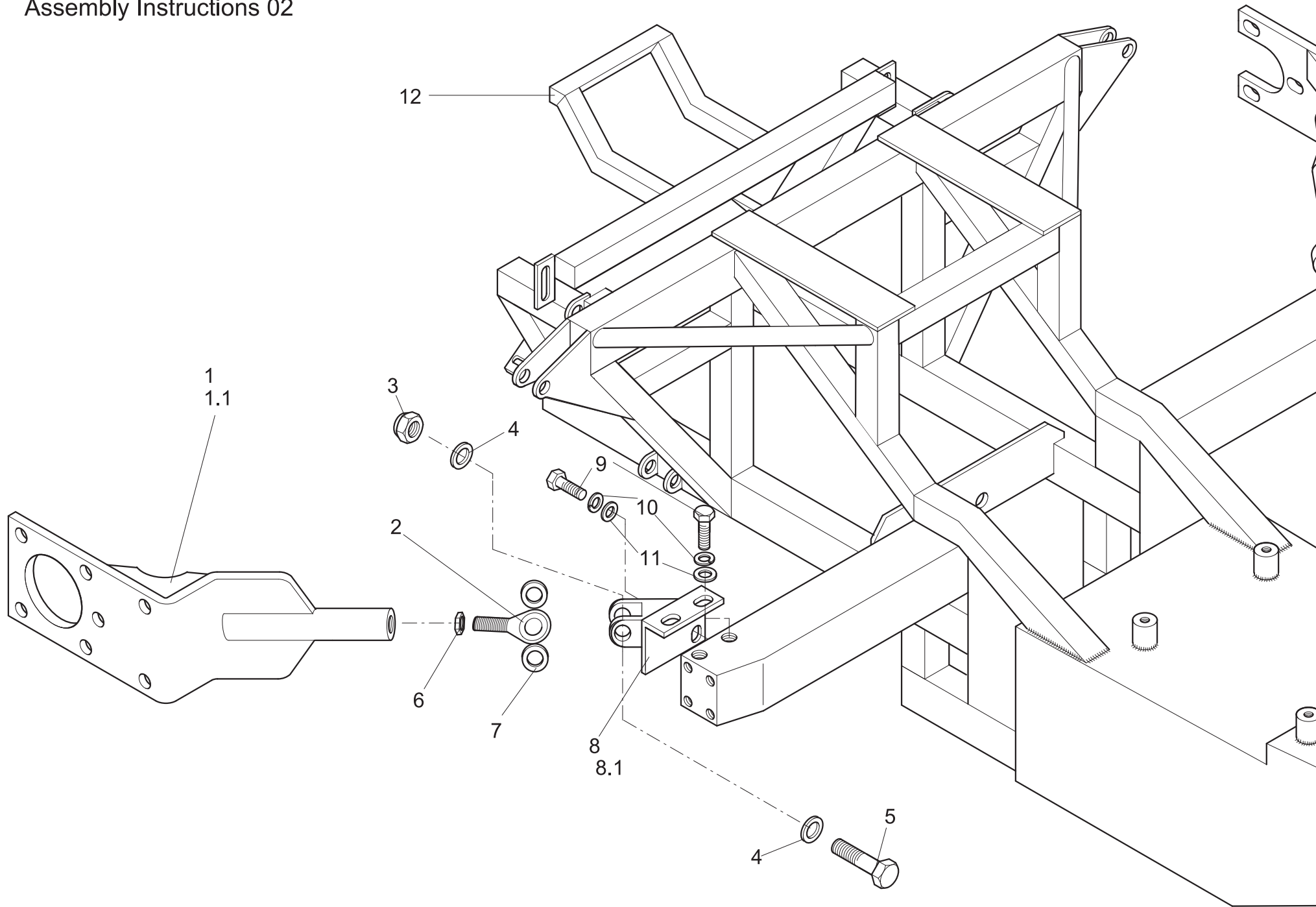
## Modell: rewaco FX6 Base Seite: 1

| Pos. | Q'ty | Art.-No.      | Article Description   |
|------|------|---------------|---|
| 1    | 1    | 01 1002 2     | fork tube Sport-Line right  |
| 2    | 1    | 01 1002 3     | fork tube Sport-Line left   |
| 3    | 1    | 01 0052 1     | stem head Sport-line front end, stainless steel, HS/FX  |
| 4    | 4    | 07-00037-U-01 | countersunk flathead screw A2 M10X30 with screw retention and allan head  |
| 5    | 1    | 33 1781 2.1   | shock absorber, Bilstein, without spring, HS since 01/2001 and all FX models front and rear/RF1, front end only |
| 6    | 4    | 30 1035 4     | shim, pos. 6, Sport-line  |
| 7    | 4    | 30 1035 5     | shim, pos. 7, Sport-line  |
| 8    | 4    | 30 1035 6     | shim, pos. 8, Sport-line  |
| 9    | 4    | 30 1035 9     | shim, pos. 9, Sport-line  |
| 10   | 1    | 01 0052 3     | steering stem Sport-line front end, stainless steel   |
| 11   | 1    | 0939 ZN 12/60 | stud bolt 8.8 zinc plated M12x60  |
| 12   | 1    | 01 0031 2     | upper bent, front end, Sport-line, polished aluminium   |
| 13   | 1    | 01 0032 3     | lower bent, front end, Sport-line, polished aluminium   |
| 14   | 1    | 20 0045 3     | bracket, shock absorber Sportline front end   |
| 15   | 2    | 0912 A2 10/40 | hexagon socket screw A2 M10X40  |
| 16   | 1    | 19 1049 1     | bracket, front fender for Sport-line front end  |
| 17   | 4    | 0125 A2 8     | washer A2 M8  |
| 18   | 4    | 0933 A2 8/16  | hexagon screw A2 M08X16   |
| 19   | 4    | 1587 A2 12.1  | acorn nut A2 M12  |
| 20   | 1    | 0938 ZN 12/80 | stud bolt 5.6 zinc plated M12X80  |
| 21   | 4    | 0125 A2 12    | washer A2 M12   |
| 22   | 1    | 01-00201-P-01 | spring for front end HS4/5/6 since 4/2002, polished   |
| 23   | 4    | 0127 B A2 8   | spring lock washer Form B A2 M8   |
| 24   | 4    | 33 1034 6     | dowel, sport-line front end   |

## Modell: rewaco FX6 Base Seite: 1

| Pos. | Q'ty | Art.-No.      | Article Description   |
|------|------|---------------|---|
| 25   | 4    | 07-00038-U-01 | hexagon socket headcap screw A2 M10X60 with screw retention                 |
| 26   | 2    | 01 0040 1     | bolt, front end Sport-line  |
| 27   | 2    | 0914 A2 6/8   | hexagon socket screw A2 M06X08 (slug)                                       |
| 28   | 8    | 05 1135 1     | retaining ring DIN 472/35, bent/steering stem Sportline                     |
| 29   | 8    | 05 1160 2     | ball bearing 6202 2RS / Sportline front end                                 |
| 30   | 4    | 05 1160 4     | ball bearing 6003ZZ   |
| 31   | 2    | 06-00568-G-01 | shim pos.31 Sportline front end; outer dia.: 18, inner dia.: 12, width: 3.4 |
| 32   | 2    | 06-00569-G-01 | shim pos.32 Sportline front end; outer dia.: 18, inner dia.: 12, width: 2.4 |
| 33   | 2    | 07-00039-U-01 | threaded bushing M10x1.5x20   |

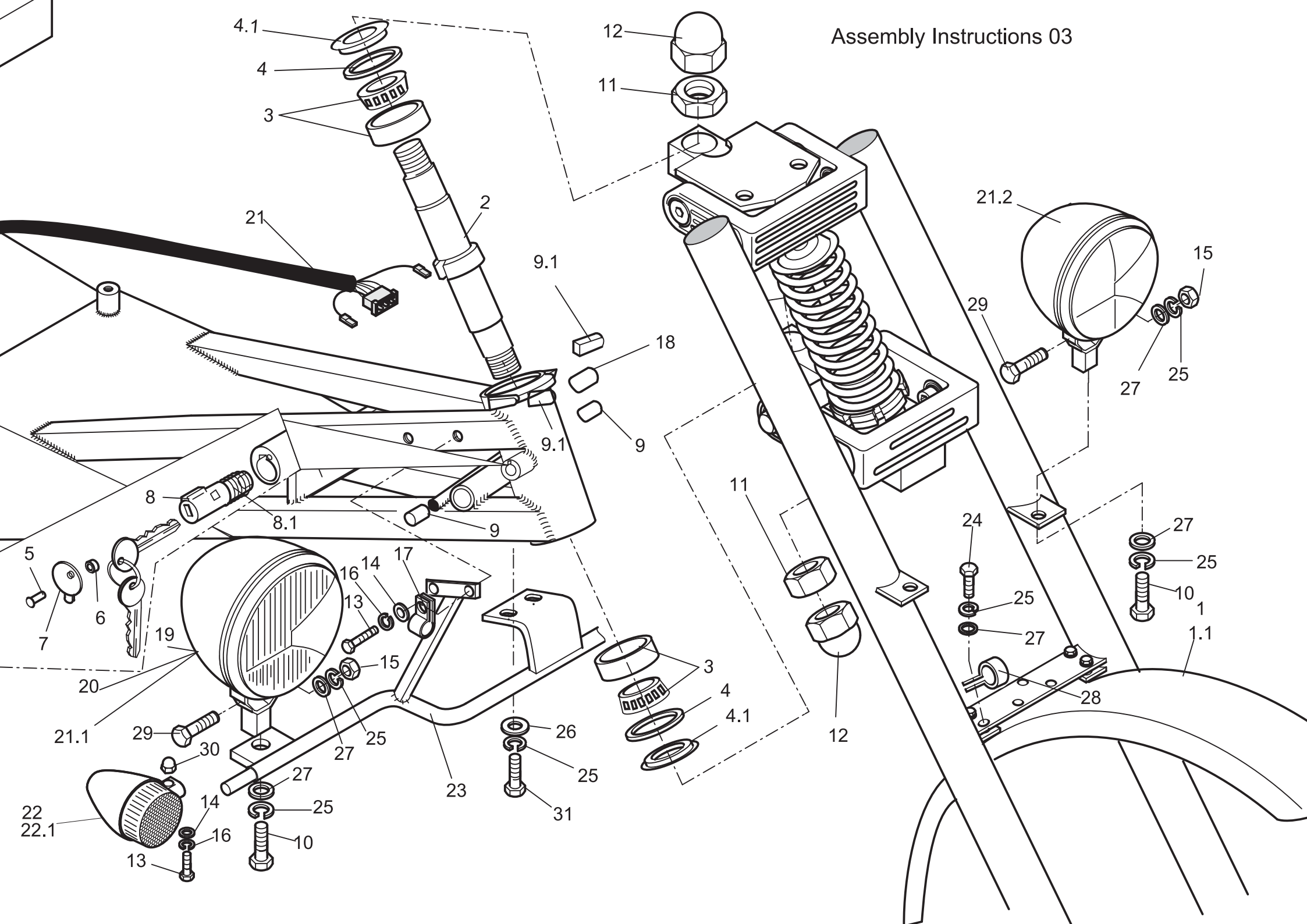
# Assembly Instructions 02



## Modell: rewaco FX6 Base Seite: 2

| Pos. | Q'ty | Art.-No.      | Article Description  |
|------|------|---------------|--|
| 1    | 1    | 08-00566-E-01 | transverse control arm, FX, lh   |
| 1,1  | 1    | 08-00567-E-01 | transverse control arm, FX, rh   |
| 2    | 2    | 08-00047-C-01 | swivel head, dia. 16mm/ maintenance free                                 |
| 3    | 2    | 0985 ZN 16    | hexagon nut, self-locking zinc plated M16                                |
| 4    | 4    | 0125 ZN 16    | washer zinc plated M16   |
| 5    | 2    | 0931 16/55VZ  | hexagon screw M16x55 galvanized  |
| 6    | 2    | 07-00196-U-01 | hexagon nut, zinc plated, M16 (flat) DIN 0982                            |
| 7    | 4    | 08-00581-01   | shim, inner dia.: 16.1, outer dia.: 22/3.35mm for transverse control arm |
| 8    | 1    | 08-00709-E-01 | transverse control arm, FX, lh   |
| 8,1  | 1    | 08-00710-E-01 | transverse control arm, FX, rh   |
| 9    | 8    | 0933 A2 10/30 | hexagon screw A2 M10X30  |
| 10   | 8    | 0127 B A2 10  | spring lock washer Form B A2 M10   |
| 11   | 8    | 0125 A2 10    | washer A2 M10  |
| 12   | 1    | 06-00845-F-01 | rear cross brace FX6   |

Assembly Instructions 03



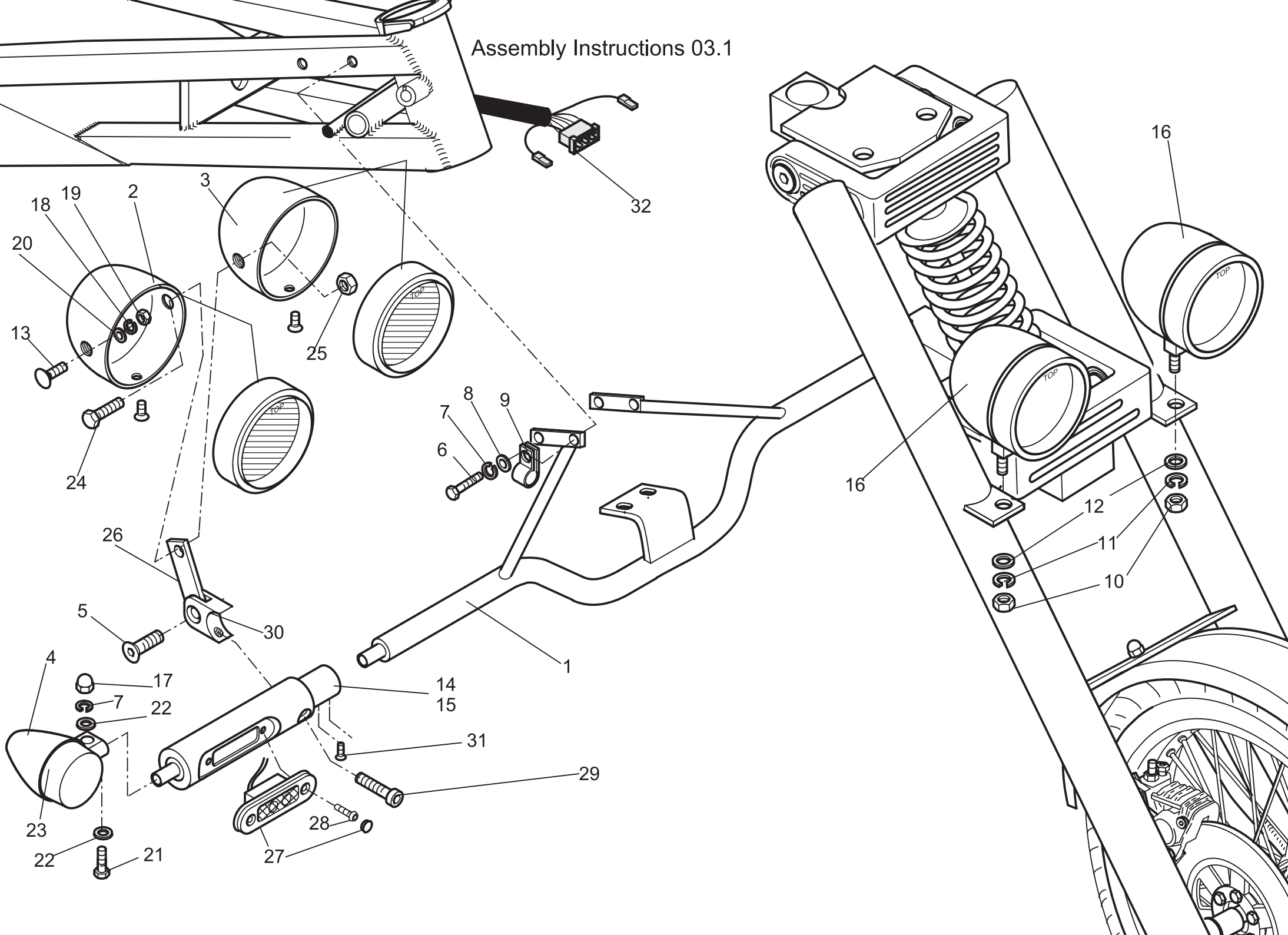
## Modell: rewaco FX6 Base Seite: 3

| Pos. | Q'ty | Art.-No.        | Article Description  |
|------|------|-----------------|--|
| 1    | 1    | 19 1047 0       | front fender Indian glimmer effect or uni for 150/60-17                                    |
| 1,1  | 1    | 03-00567-E-01   | front fender HS/FX/RF uni or glimmer, HS models since 04/2006, tire 180/55-17 or 200/50-17 |
| 2    | 1    | 03 0010 1       | steering bolt with ring  |
| 3    | 2    | 03 0020 2       | steering bearing 32006X  |
| 4    | 2    | 20 9571 2       | oil seal, steering bearing   |
| 4,1  | 2    | 03 0015 6       | cover for steering bearing   |
| 5    | 1    | 03 0100 2       | steering lock - grooved drive stud   |
| 6    | 1    | 03 0090 2       | steering lock - spring washer for grooved drive stud                                       |
| 7    | 1    | 03 0080 2       | steering lock - cover  |
| 8    | 1    | 03 0070 2       | steering lock  |
| 8,1  | 1    | 03 0075 2       | steering lock - pressure spring  |
| 9    | 2    | 03 0051 2       | plug 10 mm   |
| 9,1  | 2    | 03 0050 2       | plug 8 mm  |
| 10   | 4    | 07 1254 2       | hexagonal bolt 3/8"-24UNF 3/4" A2  |
| 11   | 2    | 0439 24/1.5     | flat nut M24x1.5, chrome plated  |
| 12   | 2    | 08-00708-U-01   | acorn nut M24X1.5 chrome-plated  |
| 13   | 9    | 0933 A2 6/20    | hexagon screw A2 M06X20  |
| 14   | 9    | 9021 A2 6       | washer, body, A2 M6  |
| 15   | 4    | 0934 UNF A2 3/8 | hexagon nut UNF A2 3/8"  |
| 16   | 9    | 0127 B A2 6     | spring lock washer Form B A2 M6  |
| 17   | 1    | 16 0120 8       | pipe clip with rubber inlay 6 mm   |
| 18   | 1    | 03 0052 2       | plug 12 mm   |
| 19   | 2    | 03 0120 2       | H4 bulb  |
| 20   | 2    | 03 0110 2       | connector for H4 lamp / connector for headlight  |
| 21   | 1    | 18 0202 4       | wire harness for headlights and turn signals, standard                                     |

## Modell: rewaco FX6 Base Seite: 3

| Pos. | Q'ty | Art.-No.      | Article Description   |
|------|------|---------------|---|
| 21,1 | 2    | 22 6661 2     | headlight assembly, complete with H4 lens                   |
| 21,2 | 2    | 22 1048 1     | additional headlight H3 standard 4 1/2"                     |
| 21,3 | 2    | 22 1049 1     | headlight H4 Indian   |
| 21,4 | 2    | 22 1047 1     | additional headlight H3 Indian 4 1/2"                       |
| 22   | 2    | 01-00100-D-01 | turn signal, front, chromed EC (incl. bulb 12V/18W)         |
| 22,1 | 2    | 18 0581 1     | bulb 12V 18W  |
| 23   | 1    | 09 1051 2     | headlight and turn signal bracket HS4-HS6 FX4-FX6 Sportline |
| 24   | 3    | 0125 A2 6     | washer A2 M6  |
| 25   | 6    | 0127 B A2 8   | spring lock washer Form B A2 M8                             |
| 26   | 2    | 9021 A2 8     | washer, body, A2 M8   |
| 27   | 8    | 0125 A2 8     | washer A2 M8  |
| 28   | 1    | 16 0120 9     | pipe clip with rubber inlay 8 mm                            |
| 29   | 4    | 07 1254 1     | hexagon screw 3/8"-24UNF 1 3/4" A2                          |
| 30   | 5    | 1587 A2 6     | acorn nut A2 M06  |
| 31   | 2    | 0933 A2 8/20  | hexagon screw A2 M08X20                                     |

# Assembly Instructions 03.1





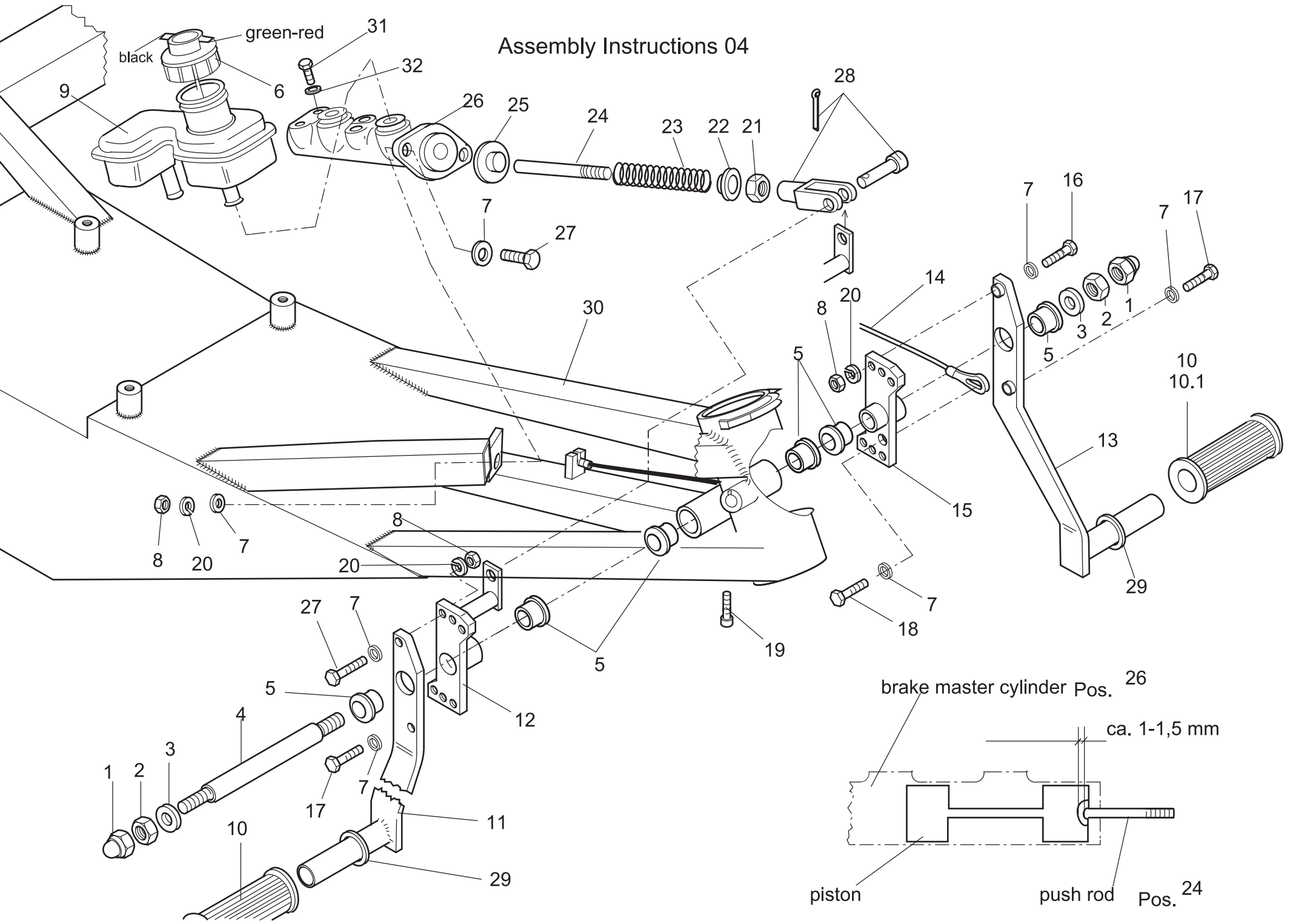
## Modell: rewaco FX6 Base Seite: 3,1

| Pos. | Q'ty | Art.-No.        | Article Description   |
|------|------|-----------------|---|
| 1    | 1    | 08-00080-C-01   | headlight and turn signal bracket, HS and FX, for double headlights   |
| 2    | 2    | 01-00195-p-01   | double headlight, low beam, outer, H7 12V 55W - only in combination with double headlight, inner 01-001196-P-01     |
| 3    | 2    | 01-00196-P-01   | double headlight, high beam, inner, H4 12V 60/55W - only in combination with double headlight, outer 01-001195-P-01 |
| 4    | 2    | 01-00088-D-01   | turn signal, front, chromed EC, clear glass, (incl. bulb, yellow, 12V 21W)  |
| 5    | 2    | 09-00764-U-01   | countersunk flathead screw A2 M8x16 with allan head   |
| 6    | 2    | 0933 A2 6/20    | hexagon screw A2 M06X20   |
| 7    | 4    | 0127 B A2 6     | spring lock washer Form B A2 M6   |
| 8    | 2    | 9021 A2 6       | washer, body, A2 M6   |
| 9    | 1    | 16 0120 8       | pipe clip with rubber inlay 6 mm  |
| 10   | 2    | 0934 UNF A2 3/8 | hexagon nut UNF A2 3/8"   |
| 11   | 2    | 0127 B A2 10    | spring lock washer Form B A2 M10  |
| 12   | 2    | 0125 A2 10      | washer A2 M10   |
| 13   | 4    | 0603 A2 5/16    | coach bolt A2 M05X16  |
| 14   | 1    | 16-00181-D-01   | holder for position light and double headlights, rh, polished aluminium   |
| 15   | 1    | 16-00182-D-01   | holder for position light and double headlights, lh, polished aluminium   |
| 16   | 2    | 01-00090-B-01   | additional headlights, 90mm, low beam, H7 55W   |
| 17   | 2    | 1587 A2 6       | acorn nut A2 M06  |
| 18   | 4    | 0127 B A2 5     | spring lock washer Form B A2 M5   |
| 19   | 4    | 0934 A2 5       | hexagon nut A2 M05  |
| 20   | 4    | 0125 A2 5       | washer A2 M5  |
| 21   | 2    | 0933 A2 6/30    | hexagon screw A2 M06X30   |

## Modell: rewaco FX6 Base Seite: 3,1

| Pos. | Q'ty | Art.-No.      | Article Description   |
|------|------|---------------|---|
| 22   | 4    | 0125 A2 6     | washer A2 M6  |
| 23   | 2    | 01-00085-U-01 | bulb 12V 21W, yellow  |
| 24   | 2    | 0933 A2 8/25  | hexagon screw A2 M08X25   |
| 25   | 2    | 0985 ZN 8     | hexagon nut, self-locking zinc plated M08                               |
| 26   | 2    | 06-00536-C-01 | bracket (stainless steel) for connection double headlights/light holder |
| 27   | 2    | 01-00137-U-01 | position lamp for double headlights since 04/2006                       |
| 28   | 4    | 07-00191-F-01 | fillister head screw, cross slot A2 M4X8 + small cap for position light |
| 29   | 4    | 6912 A4 6/25  | hexagon socket screw (flat head) A2 M06X20                              |
| 30   | 2    | 16-00180-D-01 | holder for double headlight, polished aluminium                         |
| 31   | 4    | 09-00803-E-01 | hexagon socket screw A2 M05X10 with allan head                          |
| 32   | 1    | 01-00148-U-01 | wiring harness for headlights and turn signal - double headlights       |

# Assembly Instructions 04



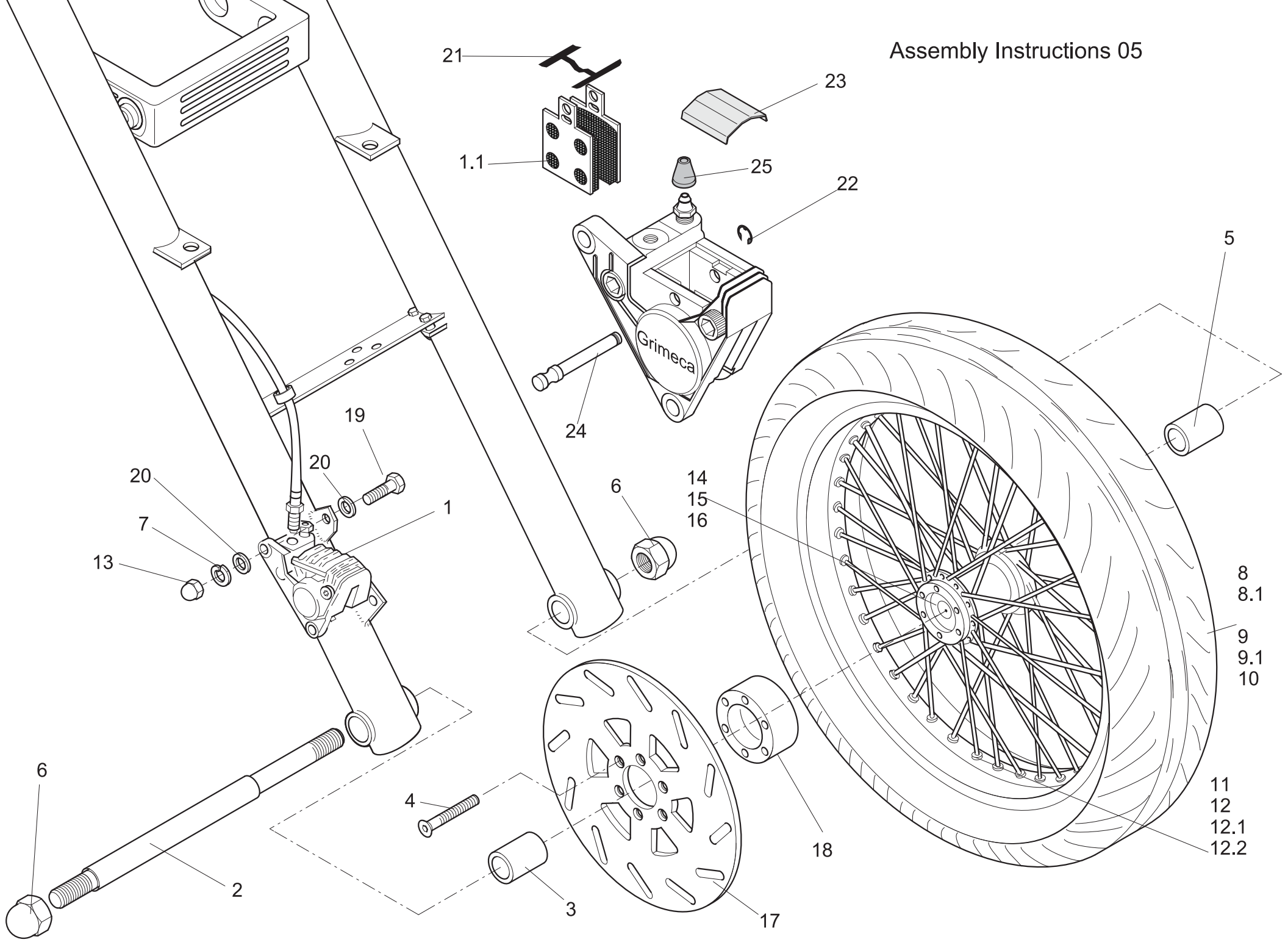
## Modell: rewaco FX6 Base Seite: 4

| Pos. | Q'ty | Art.-No.      | Article Description                               |
|------|------|---------------|---|
| 1    | 2    | 1587 A2 12.1  | acorn nut A2 M12                                  |
| 2    | 2    | 0439 A2 12    | flat nut A2 M12                                   |
| 3    | 2    | 0125 A2 12    | washer A2 M12                                     |
| 4    | 1    | 04 0121 1     | axle, pedal 16 mm                                 |
| 5    | 6    | 01 0040 2     | bearing bushing 16/18                             |
| 6    | 1    | 04 0010 2     | cap, brake fluid reservoir                        |
| 7    | 9    | 0125 A2 8     | washer A2 M8                                      |
| 8    | 4    | 0934 A2 8     | hexagon nut A2 M08                                |
| 9    | 1    | 03-00566-01   | brake fluid reservoir                             |
| 10   | 2    | 04 0090 2     | footrest cover, rubber                            |
| 10,1 | 1    | 22 1051 1     | pad, pedal, chrome plated (pair)                  |
| 11   | 1    | 04 0114 1     | brake pedal, adjustable HS/FX                     |
| 12   | 1    | 33 0115 1     | bent, adjustment brake pedal HS4-HS6 since 1/2001 |
| 13   | 1    | 04 0114 3     | clutch pedal, adjustable HS/FX                    |
| 14   | 1    | 04 0062 2     | clutch cable, guided, HS1-HS6                     |
| 15   | 1    | 04 0114 4     | bent, adjustment clutch pedal HS1-HS6             |
| 16   | 1    | 0933 A2 8/40  | hexagon screw A2 M08X40                           |
| 17   | 2    | 0933 A2 8/25  | hexagon screw A2 M08X25                           |
| 18   | 1    | 0933 A2 8/20  | hexagon screw A2 M08X20                           |
| 19   | 1    | 0933 A2 6/20  | hexagon screw A2 M06X20                           |
| 20   | 4    | 0127 B A2 8   | spring lock washer Form B A2 M8                   |
| 21   | 1    | 0934 ZN 10/15 | hexagon nut SW15 zinc plated M10                  |
| 22   | 1    | 04 0041 2     | spring seat, small                                |
| 23   | 1    | 04 0040 2     | spring, brake master cylinder                     |
| 24   | 1    | 04 0031 2     | push rod, brake master cylinder                   |
| 25   | 1    | 04 0042 2     | spring seat, big                                  |
| 26   | 1    | 04 1030 2     | brake master cylinder                             |
| 27   | 3    | 0933 A2 8/30  | hexagon screw A2 M08X30                           |

## Modell: rewaco FX6 Base Seite: 4

| Pos. | Q'ty | Art.-No.      | Article Description                                    |
|------|------|---------------|--|
| 28   | 1    | 39 0111 2     | fork joint, master brake cylinder HS4/HS5 since 1/2001 |
| 29   | 2    | 14 0017 2     | aluminium ring for brake- and clutch pedal HS/FX       |
| 30   | 1    | 08-00580-F-01 | frame FX4  |
| 31   | 1    | 07-00192-U-01 | screw plug M10x1                                       |
| 32   | 1    | 02-00193-U-01 | gasket ring, copper 10x16x1                            |

Assembly Instructions 05



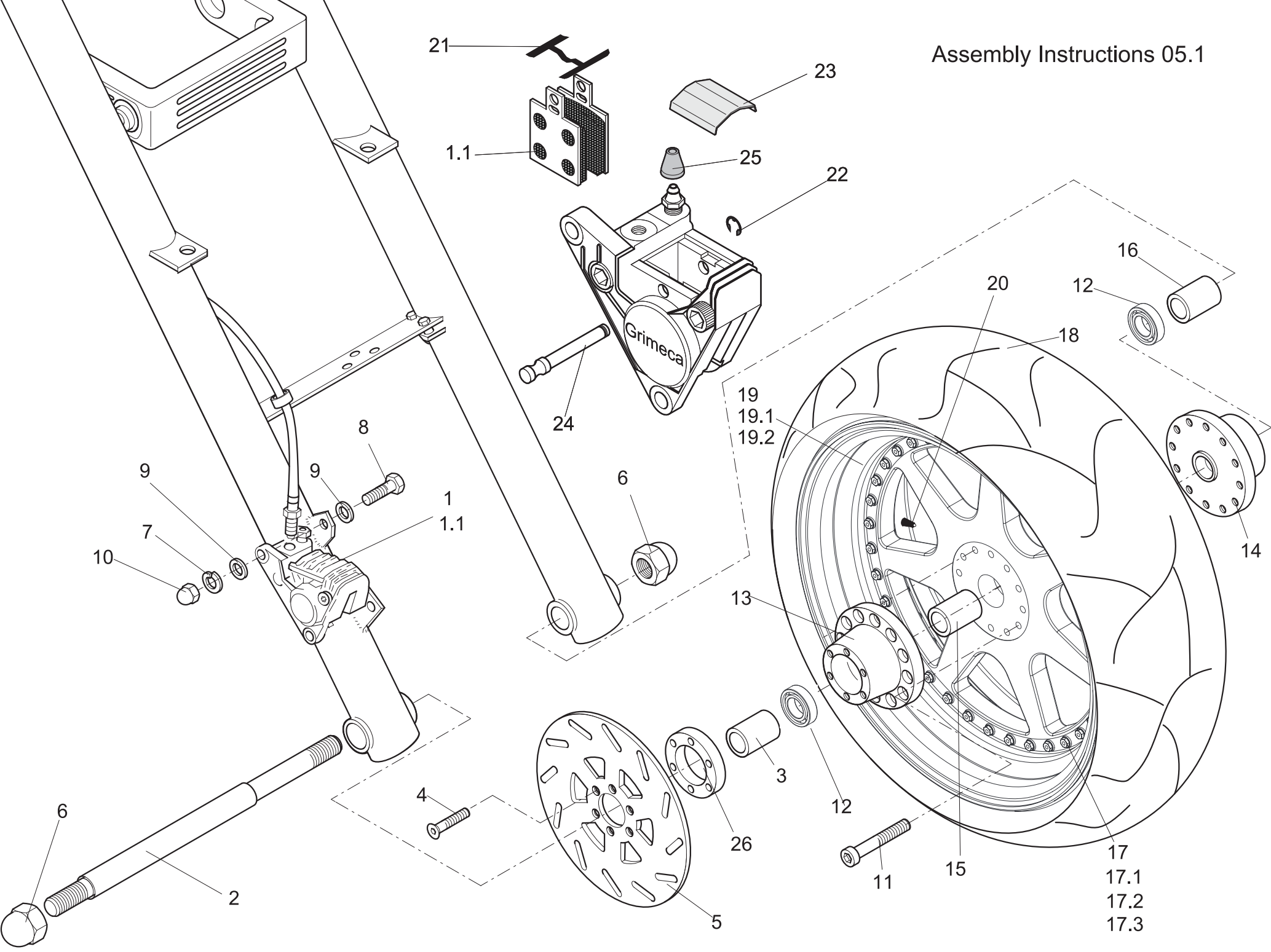
## Modell: rewaco FX6 Base Seite: 5

| Pos. | Q'ty | Art.-No.      | Article Description  |
|------|------|---------------|--|
| 1    | 1    | 05 0120 2     | brake caliper assy, front                                      |
| 1,1  | 1    | 05 0121 2     | brake pads, front  |
| 2    | 1    | 05 1101 2     | front axle, Sport-Line front end                               |
| 3    | 1    | 05 0092 2     | spacer 55mm, front wheel, Sport-Line, dia. 17mm                |
| 4    | 6    | 09-00789-U-01 | countersunk flathead screw A2 M8x50 with allan head            |
| 5    | 1    | 05 0073 1     | spacer 55mm, front wheel, electr. speedometer, inner dia. 16mm |
| 6    | 2    | 07-00204-U-01 | acorn nut M16X1.5 chrome-plated                                |
| 7    | 2    | 0127 B A2 8   | spring lock washer Form B A2 M8                                |
| 8    | 1    | 08-00081-D-01 | tire 180/55 ZR17 Michelin                                      |
| 9    | 1    | 05 0025 3     | tube for tire 180/55-17  |
| 10   | 1    | 05 0035 2     | rim band 17"   |
| 11   | 1    | 05 0050 1     | rim - aluminium 5.00" x 17" (outer annulus only)               |
| 12   | 40   | 05 0170 2     | spoke nipple M4, chrome plated                                 |
| 12,1 | 20   | 05 0171 2     | spoke 180 ankle 95°, 17"                                       |
| 12,2 | 20   | 05 0181 2     | spoke 180 ankle 80° 17"  |
| 13   | 2    | 1587 A2 8     | acorn nut A2 M08   |
| 14   | 1    | 05 0141 2     | hub, front wheel since 01/2001                                 |
| 15   | 1    | 05 0150 1     | sleeve for wheel bearing                                       |
| 16   | 2    | 05 0160 2     | wheel bearing 6303 2RSC, front wheel                           |
| 17   | 1    | 02-00692-D-01 | punched front brake disk, stainless steel                      |
| 18   | 1    | 06-00834-F-01 | spacer washer, front brake disk, std. front end                |
| 19   | 2    | 0933 A2 8/25  | hexagon screw A2 M08X25  |
| 20   | 4    | 0125 A2 8     | washer A2 M8   |
| 21   | 1    | 02-00007-D-01 | spring, brake caliper assy, front                              |
| 22   | 1    | 02-00010-D-01 | circlip, brake caliper assy, front                             |
| 23   | 1    | 02-00011-D-01 | dust cover, brake caliper assy, front                          |
| 24   | 1    | 02-00008-D-01 | pin, brake caliper assy, front                                 |

## Modell: rewaco FX6 Base Seite: 5

| Pos. | Q'ty | Art.-No.      | Article Description                                      |
|------|------|---------------|--|
| 25   | 1    | 04-00203-D-01 | rubber cap, bleeder valve, brake caliper assembly, front |

Assembly Instructions 05.1



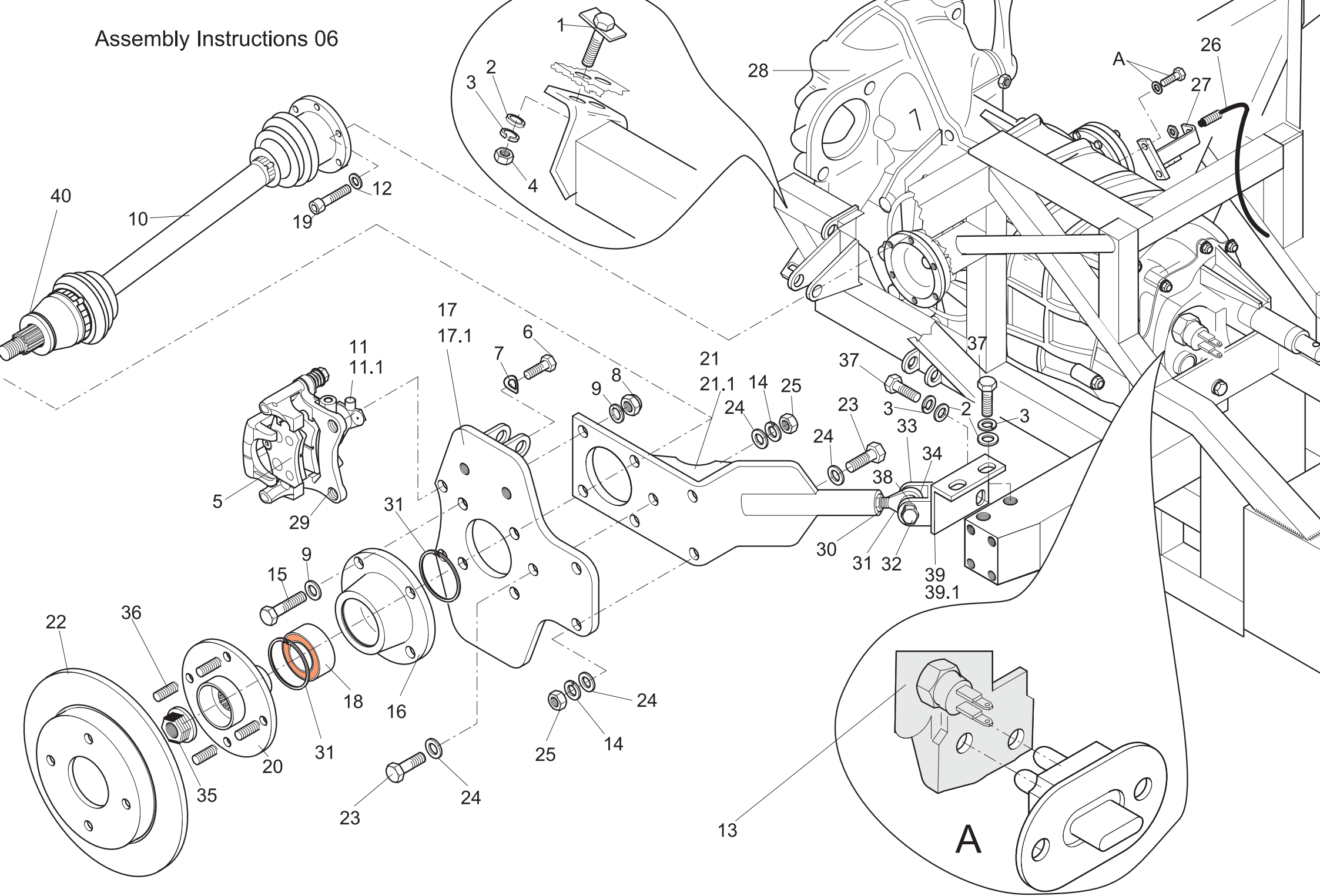
## Modell: rewaco FX6 Base Seite: 5,1

| Pos. | Q'ty | Art.-No.      | Article Description  |
|------|------|---------------|--|
| 1    | 1    | 05 0120 2     | brake caliper assy, front                                      |
| 1,1  | 1    | 05 0121 2     | brake pads, front  |
| 2    | 1    | 05 1101 2     | front axle, Sport-Line front end                               |
| 3    | 1    | 05 0092 2     | spacer 55mm, front wheel, Sport-Line, dia. 17mm                |
| 4    | 6    | 09-00800-U-01 | countersunk flathead screw A2 M8x30 with allan head            |
| 5    | 1    | 02-00692-D-01 | punched front brake disk, stainless steel                      |
| 6    | 2    | 07-00204-U-01 | acorn nut M16X1.5 chrome-plated                                |
| 7    | 2    | 0127 B A2 8   | spring lock washer Form B A2 M8                                |
| 8    | 2    | 0933 A2 8/25  | hexagon screw A2 M08X25  |
| 9    | 4    | 0125 A2 8     | washer A2 M8   |
| 10   | 2    | 0934 A2 8     | hexagon nut A2 M08   |
| 11   | 12   | 0912 A2 8/45  | hexagon socket screw A2 M08x45                                 |
| 12   | 2    | 05 0160 2     | wheel bearing 6303 2RSC, front wheel                           |
| 13   | 1    | 05 0144.1     | wheel hub for three-pc. rim, rh, 17 x 5.5", polished           |
| 14   | 1    | 05 0143.1     | wheel hub for three-pc. rim, lh, 17 x 5.5", polished           |
| 15   | 1    | 05 0150 1     | sleeve for wheel bearing                                       |
| 16   | 1    | 05 0073 1     | spacer 55mm, front wheel, electr. speedometer, inner dia. 16mm |
| 17   | 36   | 08-00065-D-01 | screw, M7x1x32 for 3-pc. rim / 10.9 /steel, chrome plated      |
| 17,1 | 36   | 08-00066-D-01 | screw, M7x1x32 for rear 3-pc. rim, stainless steel, gold color |
| 17,2 | 36   | 01-00200-D-01 | union nut for rear 3pc. rim M7x1x32, chrome plated steel       |
| 17,3 | 36   | 08-00068-D-01 | collar nut for rear 3pc. rim M7x1x32/steel, gold color         |
| 18   | 1    | 08-00082-D-01 | tire 200/50 ZR17 Michelin Pilot Sport                          |
| 19   | 1    | 40.1111.1.2   | center disc, 17", front wheel, polished X004                   |

## Modell: rewaco FX6 Base Seite: 5,1

| Pos. | Q'ty | Art.-No.      | Article Description                                      |
|------|------|---------------|--|
| 19,1 | 1    | 40.1116.1     | rim well, 2.5" x 17", polished, without valve bung, X006 |
| 19,2 | 1    | 40.1117.1     | rim well, 2.5" x 17", polished, with valve bung, X003    |
| 20   | 1    | 08-00139-U-01 | valve for aluminium rims 8.3x25                          |
| 21   | 1    | 02-00007-D-01 | spring, brake caliper assy, front                        |
| 22   | 1    | 02-00010-D-01 | circlip, brake caliper assy, front                       |
| 23   | 1    | 02-00011-D-01 | dust cover, brake caliper assy, front                    |
| 24   | 1    | 02-00008-D-01 | pin, brake caliper assy, front                           |
| 25   | 1    | 04-00203-D-01 | rubber cap, bleeder valve, brake caliper assembly, front |
| 26   | 1    | 06-00835-F-01 | spacer washer, front brake disk, std. front end          |

Assembly Instructions 06





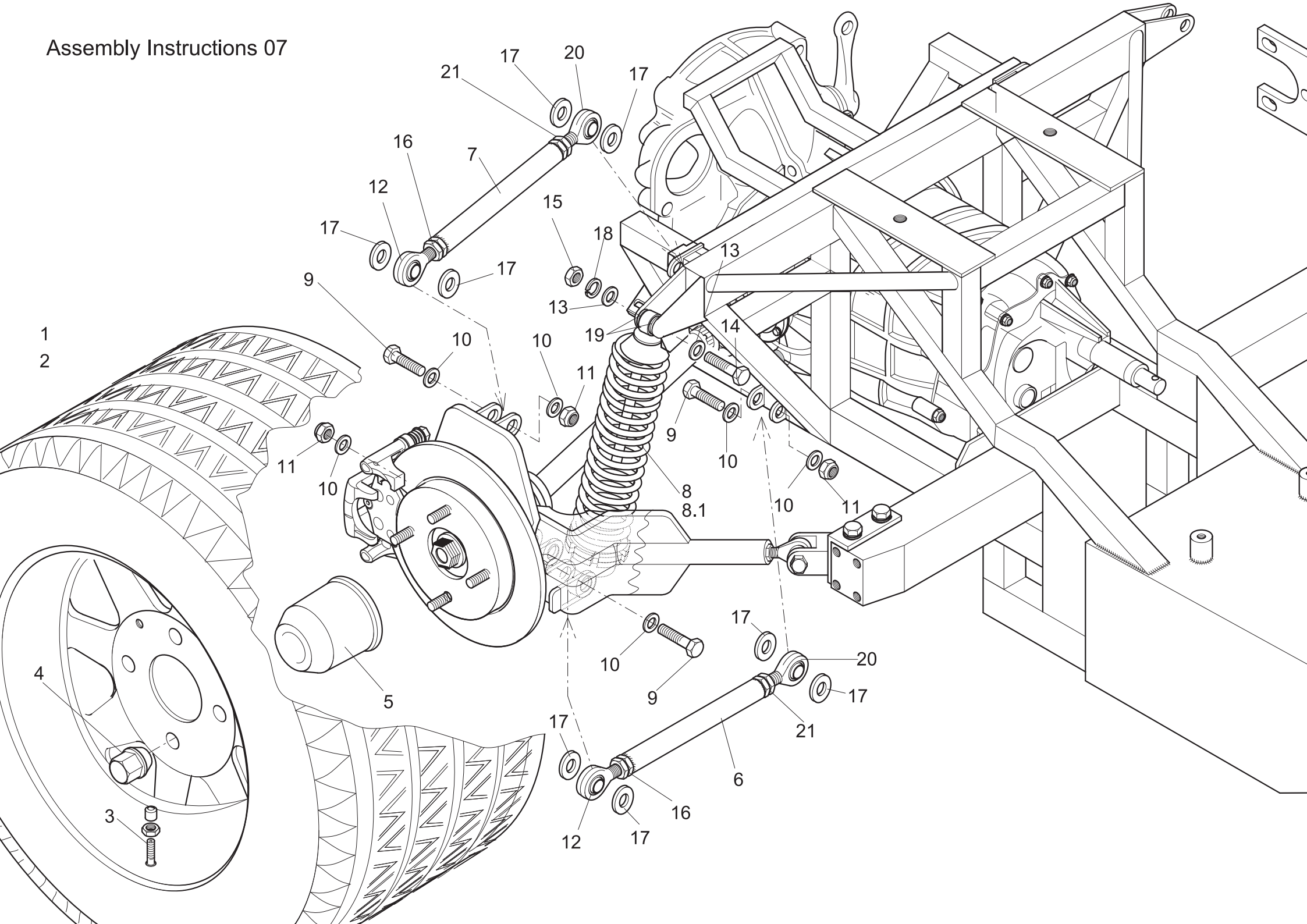
## Modell: rewaco FX6 Base Seite: 6

| Pos. | Q'ty | Art.-No.        | Article Description  |
|------|------|-----------------|--|
| 1    | 4    | 04-00200-F-01   | hexagon screw ZN M10x35 with welded plate for fixation of the bell housing FX    |
| 2    | 12   | 7349 ZN 10/25/4 | washer zinc M10X25X4   |
| 3    | 4    | 0127 A ZN 10    | spring lock washer A zinc plated M10   |
| 4    | 4    | 0934 A2 12      | hexagon nut A2 M12   |
| 5    | 1    | 02-00727-U-01   | rear brake pads FX/RF  |
| 6    | 4    | 0933 ZN 10/30   | hexagon screw zinc plated M10X30   |
| 7    | 4    | 0137 B ZN 10    | spring lock washer Form B zinc plated M10  |
| 8    | 4    | 0985 ZN 10      | hexagon nut, self-locking zinc plated M10  |
| 9    | 8    | 0125 A2 10      | washer A2 M10  |
| 10   | 2    | 04-00201-E-01   | drive shaft, FX, rh/lh   |
| 11   | 1    | 35 0010 2       | rear brake caliper, rh   |
| 11,1 | 1    | 35 0011 2       | rear brake caliper, lh   |
| 12   | 12   | 0125 A2 8       | washer A2 M8   |
| 13   | 1    | 06 0030 2       | switch, reversing lamp, VW   |
| 14   | 6    | 0127 B A2 12    | spring lock washer Form B A2 M12   |
| 15   | 8    | 0933 A2 10/35   | hexagon screw A2 M10X35  |
| 16   | 2    | 08-00569-E-01   | bearing cover, wheel bearing, FX   |
| 17   | 2    | 08-00568-E-01   | support, wheel hub, FX, rh   |
| 18   | 2    | 05 0175 1.1     | wheel bearing RF1 and FX   |
| 19   | 12   | 09-00880-U-01   | hexagon socket screw 10.9 ZN M8x35   |
| 20   | 2    | 08-00107-U-01   | wheel hub FX, 4x130, drilled, since 08/2006                                      |
| 21   | 1    | 08-00566-E-01   | transverse control arm, FX, lh   |
| 21,1 | 1    | 08-00567-E-01   | transverse control arm, FX, rh   |
| 22   | 2    | 07 0170 1       | rear brake disk, 4 holes, FX, hole circle 130mm, since 04/2006 D253/d10.5/h 33.2 |
| 23   | 6    | 0933 ZN 12/40   | hexagon screw zinc plated M12X40   |
| 24   | 12   | 0125 ZN 12      | washer zinc plated M12   |
| 25   | 6    | 0934 ZN 12      | hexagon nut zinc plated M12  |

## Modell: rewaco FX6 Base Seite: 6

| Pos. | Q'ty | Art.-No.        | Article Description  |
|------|------|-----------------|--|
| 26   | 1    | 18 0072 1       | active sensor, ROAD  |
| 27   | 1    | 08-00126-F-01   | holder, speed sensor FX at the rear axle                                 |
| 28   | 1    | EA080/300041/10 | IRS transmission since 04/2006 with final ratio 3.88                     |
| 29   | 2    | 35 0017 1       | brake bracket for brake pads FX/RF since 04/2006                         |
| 30   | 2    | 07-00196-U-01   | hexagon nut, zinc plated, M16 (flat) DIN 0982                            |
| 31   | 2    | 08-00047-C-01   | swivel head, dia. 16mm/ maintenance free                                 |
| 32   | 1    | 0931 16/55VZ    | hexagon screw M16x55 galvanized  |
| 33   | 2    | 0985 ZN 16      | hexagon nut, self-locking zinc plated M16                                |
| 34   | 1    | 08-00581-01     | shim, inner dia.: 16.1, outer dia.: 22/3.35mm for transverse control arm |
| 35   | 2    | 03-00559-E-01   | nut for drive shaft FX/ RF   |
| 36   | 8    | 00-00003-M-01   | milled bolt for wheel hub M14x1.5x40                                     |
| 37   | 8    | 0933 A2 10/30   | hexagon screw A2 M10X30  |
| 38   | 1    | 0125 ZN 16      | washer zinc plated M16   |
| 39   | 1    | 08-00709-E-01   | transverse control arm, FX, lh   |
| 39,1 | 1    | 08-00710-E-01   | transverse control arm, FX, rh   |
| 40   | 2    | 08-00595-F-01   | drive shaft disk   |

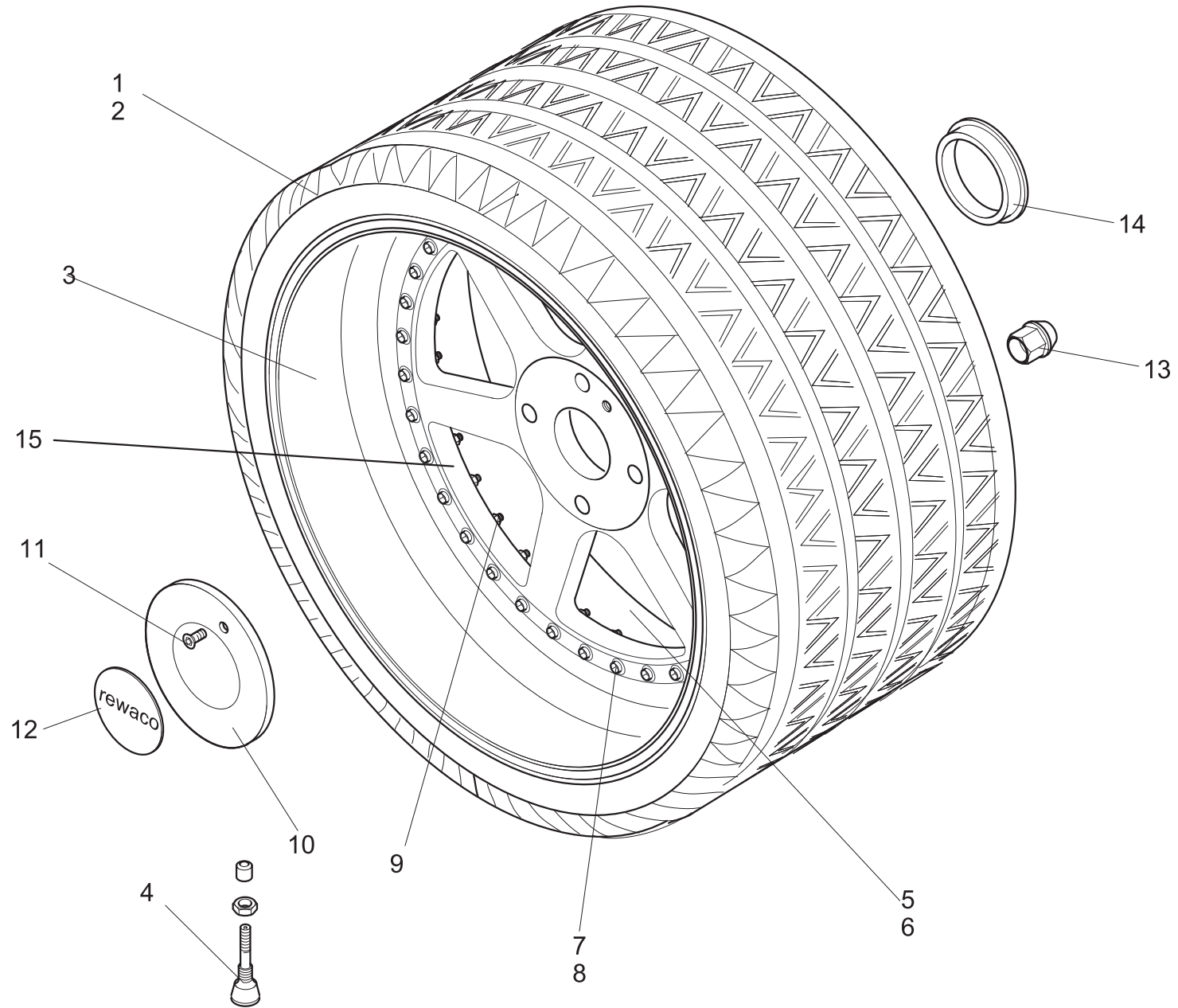
# Assembly Instructions 07



## Modell: rewaco FX6 Base Seite: 7

| Pos. | Q'ty | Art.-No.      | Article Description   |
|------|------|---------------|---|
| 1    | 2    | 08 0085 2     | rim 10X15 ET -37 chrome-plated US Wheels  |
| 2    | 2    | 08-00683-D-01 | tire 295/50 R 15  |
| 3    | 2    | 08-00140-U-01 | valve for steel rims 11.3x43  |
| 4    | 8    | 08-00083-U-01 | wheel nuts, closed, for chrome/steel rim / M14x1.5x35, conus 60°, sw 19, class 8, chrome plated                 |
| 5    | 2    | 08 1087 2     | center cap for US Wheel   |
| 6    | 2    | 08-00572-F-01 | lower brace, transverse control arm, FX   |
| 7    | 2    | 08-00573-F-01 | upper brace, transverse control arm, FX   |
| 8    | 2    | 33 1781 2.1   | shock absorber, Bilstein, without spring, HS since 01/2001 and all FX models front and rear/RF1, front end only |
| 8,1  | 2    | 08-00114-01   | spring, shock absorber, rear axle, FX   |
| 9    | 8    | 0931 ZN 16/60 | hexagon screw zinc plated M16X60  |
| 10   | 16   | 0125 ZN 16    | washer zinc plated M16  |
| 11   | 8    | 0985 ZN 16    | hexagon nut, self-locking zinc plated M16   |
| 12   | 4    | 08-00047-C-01 | swivel head, dia. 16mm/ maintenance free  |
| 13   | 8    | 0125 ZN 12    | washer zinc plated M12  |
| 14   | 2    | 0933 ZN 12/60 | hexagon screw zinc plated M12X60  |
| 15   | 2    | 0934 A2 12    | hexagon nut A2 M12  |
| 16   | 4    | 0439 A2 12    | flat nut A2 M12   |
| 17   | 16   | 08-00581-01   | shim, inner dia.: 16.1, outer dia.: 22/3.35mm for transverse control arm  |
| 18   | 2    | 0127 B A2 12  | spring lock washer Form B A2 M12  |
| 19   | 8    | 08-00705-G-01 | shim pos.19 seating shock absorber mounting   |
| 20   | 4    | 01-00697-C-01 | swivel head, dia. 16mm/ maintenance free  |
| 21   | 4    | 0982 ZN 16 L  | hexagon nut, M16, zinc plated, flat   |

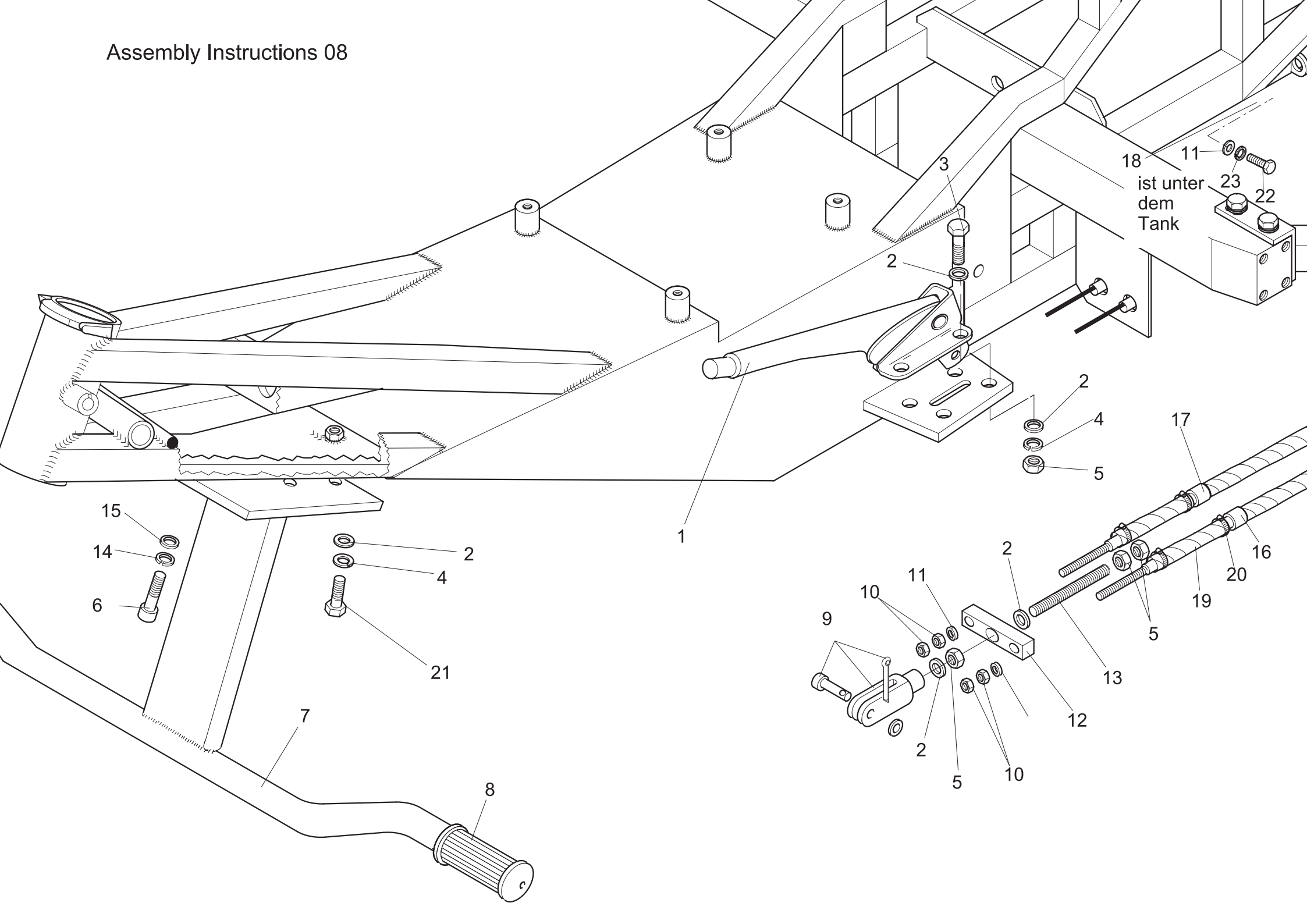
# Assembly Instructions 07.1



## Modell: rewaco FX6 Base Seite: 7,1

| Pos. | Q'ty | Art.-No.      | Article Description   |
|------|------|---------------|---|
| 1    | 2    | 08-00121-01   | tire 285/35 ZR18  |
| 2    | 2    | 08-00123-C-01 | tire 335/30 ZR18 102Y   |
| 3    | 2    | 40.1113.1     | rim well, 6" x 18", polished X001   |
| 4    | 2    | EA20 0661 1   | tire valve, metal valve for screwing in                                     |
| 5    | 2    | 40 1014.1     | rim - aluminium, rim well by steps, 4.50 x 18, inner<br>anulus FX4+FX6, 11" |
| 6    | 2    | 08-00103-D-01 | rim - aluminium, rim well by steps, 5.75 x 18, inner<br>rim, FX4 + FX6, 12" |
| 7    | 72   | 08-00065-D-01 | screw, M7x1x32 for 3-pc. rim / 10.9 /steel, chrome<br>plated                |
| 8    | 72   | 08-00066-D-01 | screw, M7x1x32 for rear 3-pc. rim, stainless steel,<br>gold color           |
| 9    | 72   | 08-00067-D-01 | collar nut for rear 3pc. rim M7x1x32/steel, zinc<br>plated                  |
| 10   | 2    | 44 0011 1     | cap for rim 11x18 and 12x18   |
| 11   | 2    | 09-00191-F-01 | hexagon socket screw A2 M08X20  |
| 12   | 2    | 06-00640-01   | decal, rewaco logo, bow   |
| 13   | 8    | 04-00189-E-01 | open wheel nut M14x1.5x25, conus 60°, SW 19,<br>class 8, zinc plated        |
| 14   | 2    | 08-00142-F-01 | center ring FX4 for 3-pc. rim   |
| 15   | 2    | 40.1110.1.2   | center disc, 18", hole circle 4x140, polished X005                          |

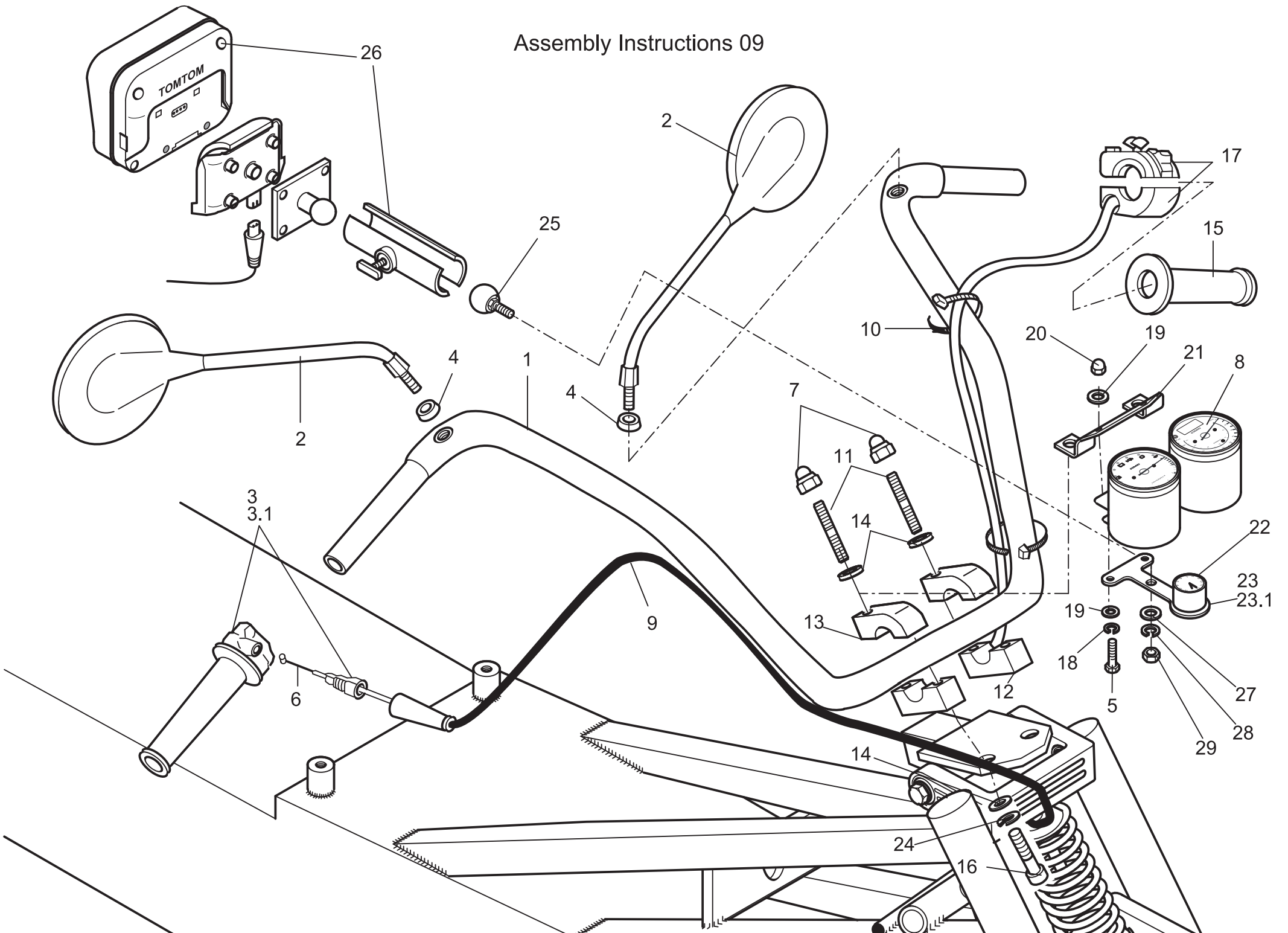
# Assembly Instructions 08



## Modell: rewaco FX6 Base Seite: 8

| Pos. | Q'ty | Art.-No.      | Article Description   |
|------|------|---------------|---|
| 1    | 1    | 09 0010 2     | parking brake lever   |
| 2    | 13   | 0125 A2 8     | washer A2 M8  |
| 3    | 4    | 0933 A2 8/25  | hexagon screw A2 M08X25   |
| 4    | 8    | 0127 B A2 8   | spring lock washer Form B A2 M8   |
| 5    | 7    | 0934 A2 8     | hexagon nut A2 M08  |
| 6    | 2    | 0912 A2 10/25 | hexagon socket screw A2 M10X25  |
| 7    | 1    | 09 0021 1     | footrest, front HS4-HS6 chrome-plated   |
| 8    | 2    | 04 0090 2     | footrest cover, rubber  |
| 9    | 1    | 09 0110 2     | fork joint with bolt and cotter-pin for parking brake and trunk lid lock RF1, 8x32 VZ |
| 10   | 4    | 0934 A2 6     | hexagon nut A2 M06  |
| 11   | 3    | 0125 A2 6     | washer A2 M6  |
| 12   | 1    | 09 0140 2.1   | manifold for parking brake cable since 1/2001   |
| 13   | 1    | 0976 ZN 8/120 | threaded bolt zinc plated M08X120   |
| 14   | 2    | 0127 B A2 10  | spring lock washer Form B A2 M10  |
| 15   | 2    | 9021 A2 10    | washer, body, A2 M10  |
| 16   | 1    | 33 0280 2     | cable, parking brake (short) for disk brake   |
| 17   | 1    | 33 0270 2     | cable, parking brake (long) for disk brake  |
| 18   | 3    | 0912 A2 10/35 | hexagon socket screw A2 M10X35  |
| 19   | 4    | 04-00690-B-01 | flexible tube, aluminium dia. 50 mm A P A 500 mm 1 mtr.                               |
| 20   | 4    | 539 8 12      | Zebra-hose clip B 7.5mm SW6 8-12  |
| 21   | 1    | 0933 A2 8/30  | hexagon screw A2 M08X30   |
| 22   | 1    | 0933 A2 6/20  | hexagon screw A2 M06X20   |
| 23   | 1    | 0127 B A2 6   | spring lock washer Form B A2 M6   |

# Assembly Instructions 09





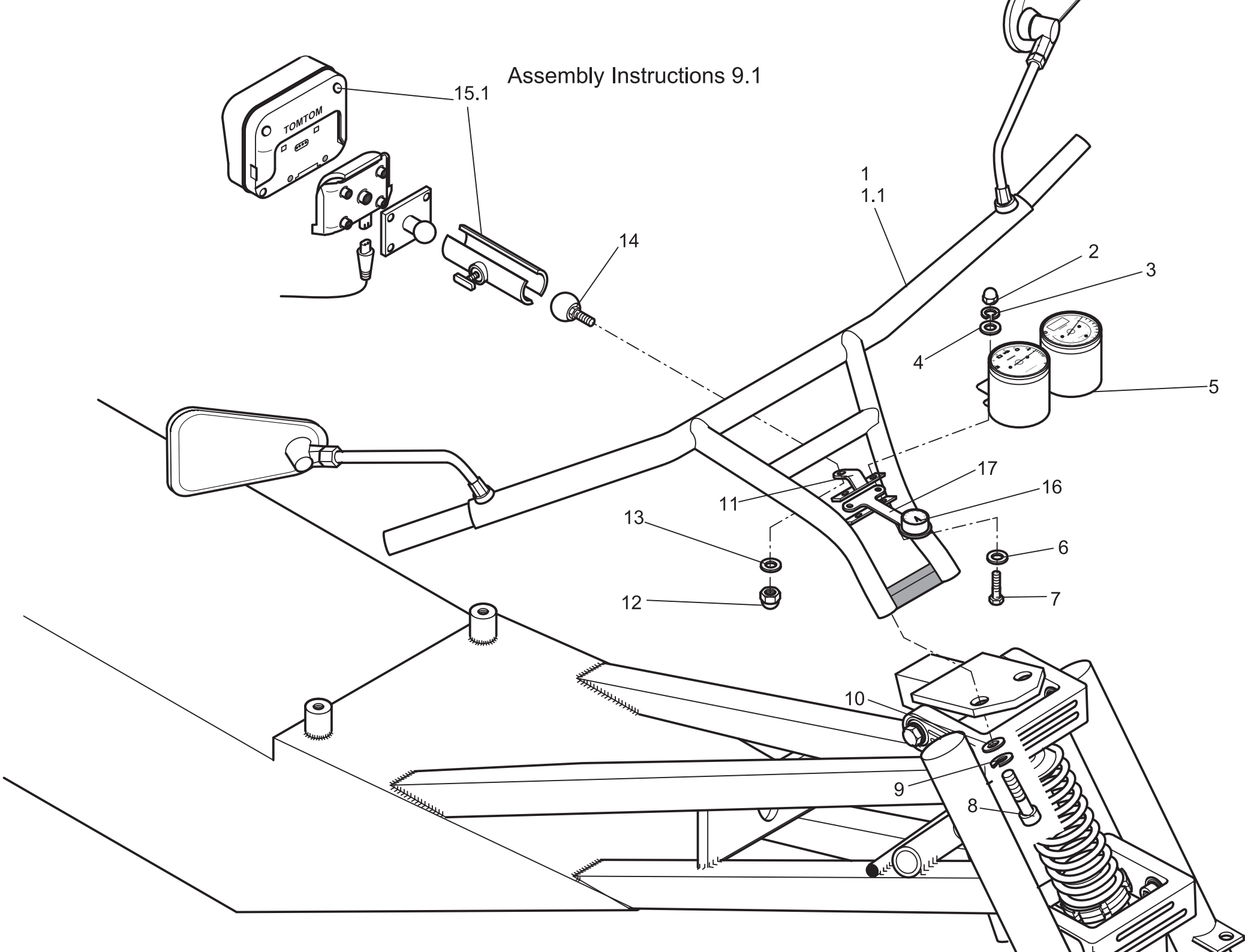
## Modell: rewaco FX6 Base Seite: 9

| Pos. | Q'ty | Art.-No.      | Article Description   |
|------|------|---------------|---|
| 1    | 1    | 10 0010 1.2   | handlebar,dia. 28mm, polished stainless steel, HS/FX                    |
| 2    | 2    | 22 1033 2     | back mirror, chrome plated with thread M10                              |
| 3    | 1    | 10 0150 2     | throttle grip, std.   |
| 3,1  | 1    | 10 0151 3     | throttle grip, polished aluminium, with fixation                        |
| 4    | 2    | 30-00527-01   | washer, 5mm, for mirror mounting, dia. 20/bore 11mm                     |
| 5    | 2    | 0933 A2 6/35  | hexagon screw A2 M06X35   |
| 6    | 1    | 34 2210 1     | inner cable, throttle cable, stainless steel, 3300 mm long for HS/FX/RF |
| 7    | 2    | 1587 A2 12.1  | acorn nut A2 M12  |
| 8    | 1    | 18 0074 1     | gauge combination/electrical speedometer, tachometer ROAD FX4+5         |
| 9    | 1    | 10 0100 1.1   | throttle cable, outer housing HS/FX/RF without inner cable              |
| 10   | 5    | N1304850 S    | cable strap 4.8X200 mm  |
| 11   | 2    | 0938 ZN 12/40 | stud bolt 8.8 zinc plated M12X40  |
| 12   | 2    | 10 0090 2     | handlebar clamp, lower  |
| 13   | 2    | 10 0080 2.1   | handlebar clamp, upper, 28mm  |
| 14   | 4    | 0125 A2 12    | washer A2 M12   |
| 15   | 1    | 10 0070 2     | grip  |
| 16   | 2    | 0912 A2 12/45 | hexagon socket screw A2 M12X45  |
| 17   | 1    | 22 6053 1     | switch assy since 01/2005 (replaces switch assy art.-no. 22 6052 1)     |
| 18   | 2    | 0127 B A2 6   | spring lock washer Form B A2 M6   |
| 19   | 4    | 9021 A2 6     | washer, body, A2 M6   |
| 20   | 2    | 1587 A2 6     | acorn nut A2 M06  |
| 21   | 1    | 05 0122 2     | bracket for instrument panel ROAD HS/FX                                 |
| 22   | 1    | 01-00699-F-01 | clock, chrome plated  |
| 23   | 1    | 08-00079-U-01 | bracket, clock, for ROAD instruments                                    |

## Modell: rewaco FX6 Base Seite: 9

| Pos. | Q'ty | Art.-No.      | Article Description                                    |
|------|------|---------------|--|
| 23,1 | 1    | 06-00836-U-01 | bracket for watch, style rf1 / Navi Style Handlebar FX |
| 24   | 2    | 0127 B A2 12  | spring lock washer Form B A2 M12                       |
| 25   | 1    | 06-00766-U-01 | the ball coupling of the TomTom GPS                    |
| 26   | 1    | 05-00180-D-01 | Navigationssystem TomTom Rider II D, A, CH             |
| 27   | 1    | 0125 A2 8     | washer A2 M8   |
| 28   | 1    | 0127 B A2 8   | spring lock washer Form B A2 M8                        |
| 29   | 1    | 0934 A2 8     | hexagon nut A2 M08                                     |

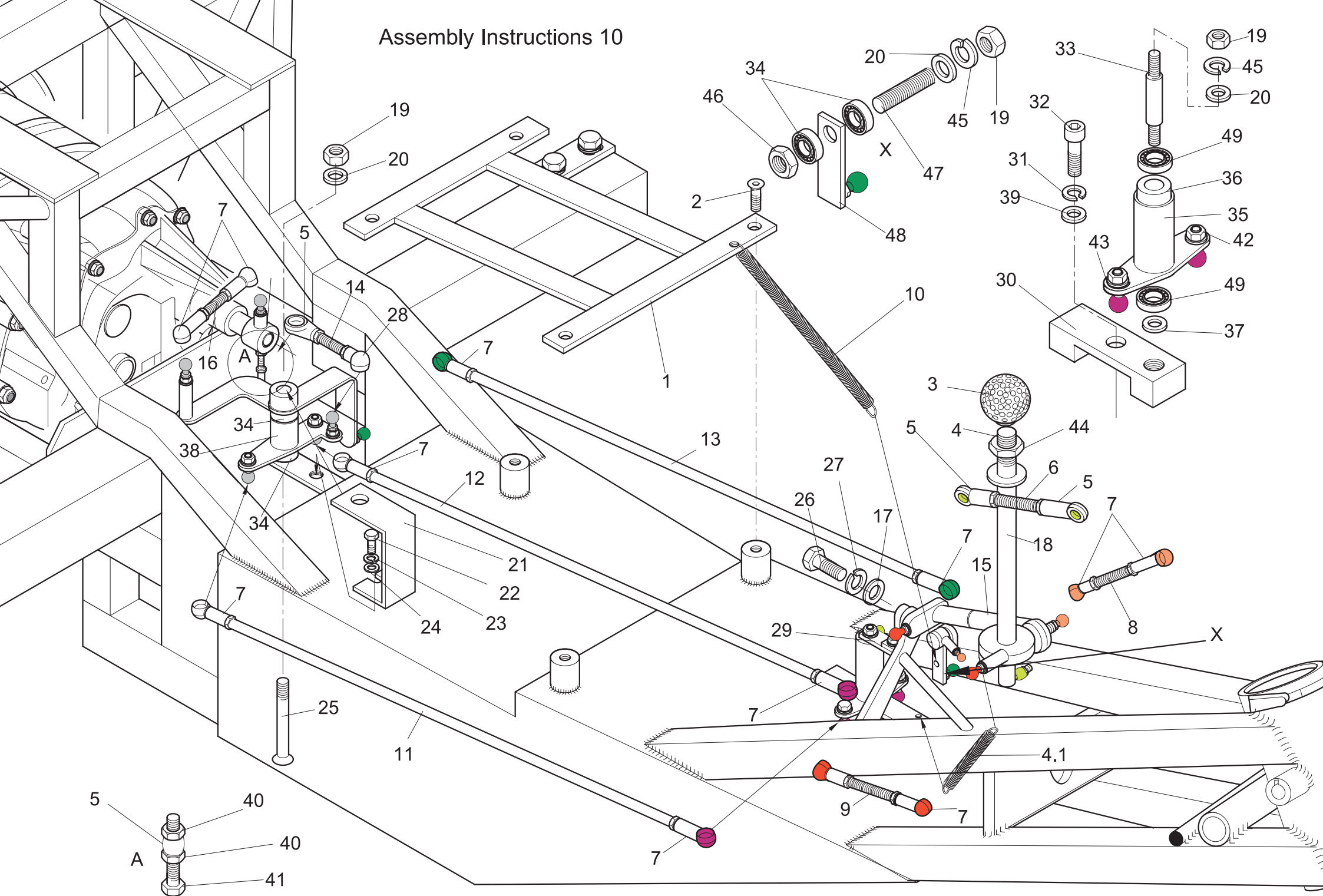
Assembly Instructions 9.1



## Modell: rewaco FX6 Base Seite: 9,1

| Pos. | Q'ty | Art.-No.      | Article Description   |
|------|------|---------------|---|
| 1    | 1    | 06-00776-D-01 | handlebar, STYLE, FX, polished stainless steel, 360 mm          |
| 1,1  | 1    | 06-00780-D-01 | handlebar, STYLE, FX, polished stainless steel, 325 mm          |
| 2    | 2    | 1587 A2 6     | acorn nut A2 M06  |
| 3    | 2    | 0127 B A2 6   | spring lock washer Form B A2 M6                                 |
| 4    | 2    | 0125 A2 6     | washer A2 M6  |
| 5    | 1    | 18 0074 1     | gauge combination/electrical speedometer, tachometer ROAD FX4+5 |
| 6    | 2    | 9021 A2 6     | washer, body, A2 M6   |
| 7    | 2    | 0933 A2 6/20  | hexagon screw A2 M06X20   |
| 8    | 2    | 0912 A2 12/50 | hexagon socket screw A2 M12X50                                  |
| 9    | 2    | 0127 B A2 12  | spring lock washer Form B A2 M12                                |
| 10   | 2    | 0125 A2 12    | washer A2 M12   |
| 11   | 1    | 06-00836-U-01 | bracket for watch, style rf1 / Navi Style Handlebar FX          |
| 12   | 1    | 1587 A2 8     | acorn nut A2 M08  |
| 13   | 1    | 0125 A2 8     | washer A2 M8  |
| 14   | 1    | 06-00766-U-01 | the ball coupling of the TomTom GPS                             |
| 15   | 1    | 05-00180-D-01 | Navigationssystem TomTom Rider II D, A, CH                      |
| 15,1 | 1    | 05-00181-D-01 | GPS System TomTom Rider II Europe                               |
| 16   | 1    | 01-00699-F-01 | clock, chrome plated  |
| 17   | 1    | 08-00079-U-01 | bracket, clock, for ROAD instruments                            |

# Assembly Instructions 10



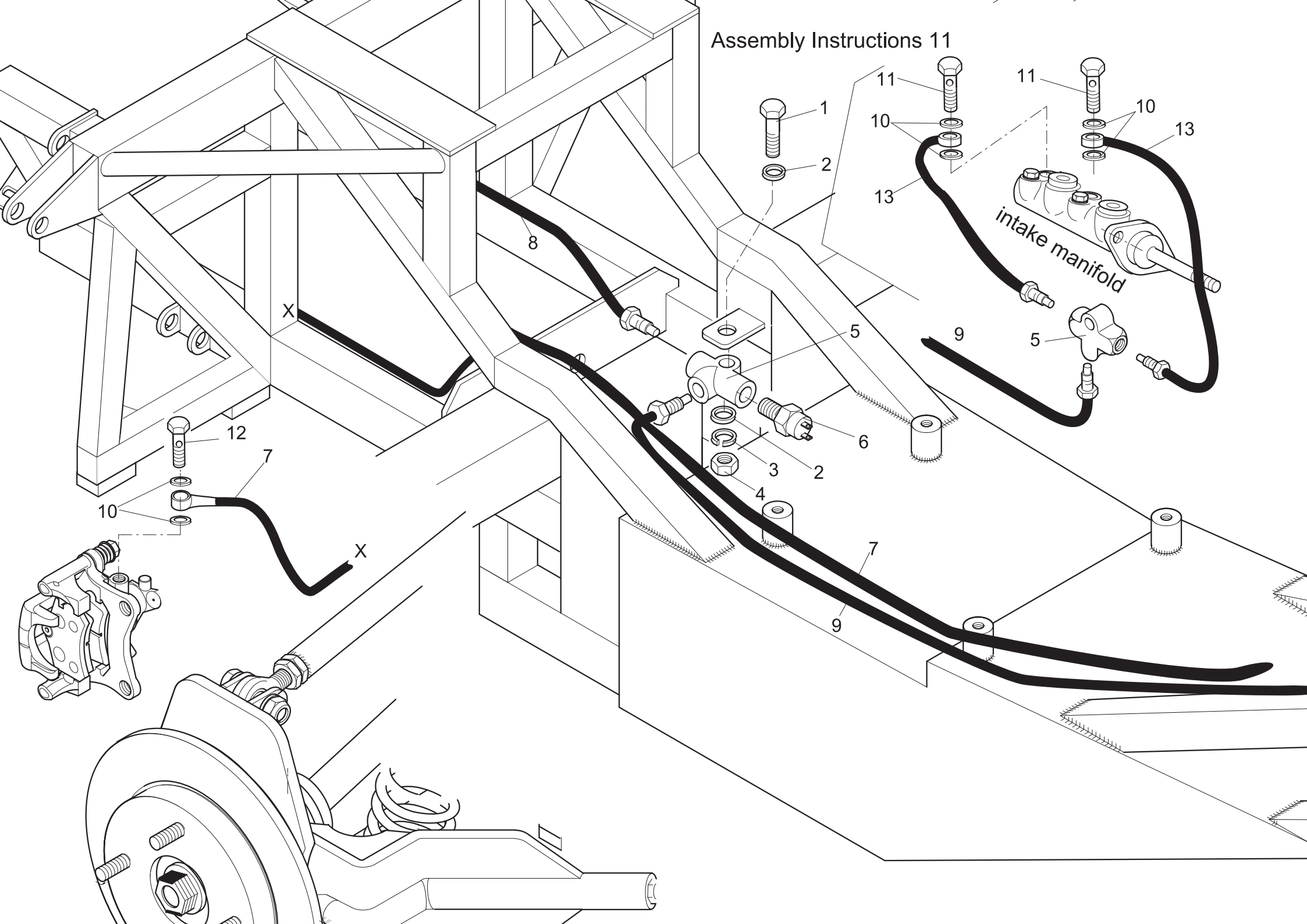
## Modell: rewaco FX6 Base Seite: 10

| Pos. | Q'ty | Art.-No.      | Article Description   |
|------|------|---------------|---|
| 1    | 1    | 08-00551-F-01 | front cross brace FX4-FX6   |
| 2    | 4    | 7991 A2 10/25 | hexagon socket countersunk flathead screw A2 M10x25   |
| 3    | 1    | 11 0010 2     | knob, gearshift lever   |
| 4    | 1    | 13 0161 2     | gearshift lever FX  |
| 4,1  | 1    | 06-00176-N-01 | tension spring for gear shift; wire dia.: 1.0, spring outer dia.: 9.0mm; length: 100                                    |
| 5    | 3    | 07-00042-01   | swivel head D8/maintenance free   |
| 6    | 1    | 08-00552-F-01 | redirection, gear shift, FX4-FX6 pos. 6   |
| 7    | 12   | 01-00678-F-01 | knuckle joint DIN 71802/C10-M6 zinc plated, white   |
| 8    | 1    | 08-00554-F-01 | redirection, gear shift, FX4-FX6 pos. 8   |
| 9    | 1    | 08-00553-F-01 | redirection, gear shift, FX4-FX6 pos. 9   |
| 10   | 1    | 06-00084-N-01 | tension spring for hinge HS5 and throttle valve FX/RF, gear shift FX; wire dia.: 1.0, spring dia.: 11mm, length: 130 mm |
| 11   | 1    | 08-00558-F-01 | pull-push rod, gear shift, FX4-FX6  |
| 12   | 1    | 08-00556-F-01 | pull-push rod, gear shift, FX4-FX6  |
| 13   | 1    | 08-00557-F-01 | pull-push rod, gear shift, FX4-FX6  |
| 14   | 1    | 08-00555-F-01 | redirection, gear shift, FX4-FX6 pos. 14  |
| 15   | 1    | 07-00045-L-01 | swivel head D12/maintenance free  |
| 16   | 1    | 08-00559-F-01 | redirection, gear shift, FX4-FX6 pos. 16  |
| 17   | 1    | 0125 ZN 12    | washer zinc plated M12  |
| 18   | 1    | 06-00548-F-01 | barrier for reverse gear for gearshift stick FX   |
| 19   | 3    | 0934 A2 10    | hexagon nut A2 M10  |
| 20   | 3    | 0125 A2 10    | washer A2 M10   |
| 21   | 1    | 08-00575-F-01 | bracket, gear shift redirection, FX4-FX6  |
| 22   | 1    | 0933 A2 8/20  | hexagon screw A2 M08X20   |
| 23   | 1    | 0127 B A2 8   | spring lock washer Form B A2 M8   |
| 24   | 1    | 0125 A2 8     | washer A2 M8  |

## Modell: rewaco FX6 Base Seite: 10

| Pos. | Q'ty | Art.-No.        | Article Description                                  |
|------|------|-----------------|--|
| 25   | 1    | 7991 A2 10/60   | hexagon socket countersunk flathead screw A2 M10X60  |
| 26   | 1    | 0933 ZN 12/30   | hexagon screw zinc plated M12X30                     |
| 27   | 1    | 0127 B A2 12    | spring lock washer Form B A2 M12                     |
| 28   | 1    | 33 13 120 0.1   | knuckle joint DIN 71802 CS 13 M 8 yellow zinc plated |
| 29   | 1    | 08-00590-F-01   | front gear shift holder, plastic-coated              |
| 30   | 1    | 08-00591-F-01   | additional sheet for gear shift, plastic-coated      |
| 31   | 1    | 0127 B A2 10    | spring lock washer Form B A2 M10                     |
| 32   | 1    | 0912 A2 10/35   | hexagon socket screw A2 M10X35                       |
| 33   | 1    | 03-00638-E-01   | bearing shaft, pedals, FX                            |
| 34   | 4    | 05 1160 3       | ball bearing 6800 2RS /for throttle valve VW         |
| 35   | 1    | 08-00617-F-01   | redirection, gear shift, FX4-FX6 pos. 35             |
| 36   | 1    | 03-00689-E-01   | supporting bushing                                   |
| 37   | 1    | 02-00193-U-01   | gasket ring, copper 10x16x1                          |
| 38   | 1    | 08-00689-F-01   | redirection, gear shift, FX4-FX6 pos. 38             |
| 39   | 1    | 7349 ZN 10/25/4 | washer zinc M10X25X4                                 |
| 40   | 2    | 0934 A2 8       | hexagon nut A2 M08                                   |
| 41   | 1    | 0933 A2 8/40    | hexagon screw A2 M08X40                              |
| 42   | 6    | 0934 A2 6       | hexagon nut A2 M06                                   |
| 43   | 6    | 0125 A2 6       | washer A2 M6   |
| 44   | 1    | 0439 A2 12      | flat nut A2 M12                                      |
| 45   | 6    | 0127 B A2 10    | spring lock washer Form B A2 M10                     |
| 46   | 1    | 09-00709-U-01   | flat nut A2 M10                                      |
| 47   | 1    | 08-00695-F-01   | threaded bolt M10X185                                |
| 48   | 1    | 08-00696-F-01   | redirection, gear shift, FX4-FX6 pos. 48             |
| 49   | 2    | 05 1160 2       | ball bearing 6202 2RS / Sportline front end          |

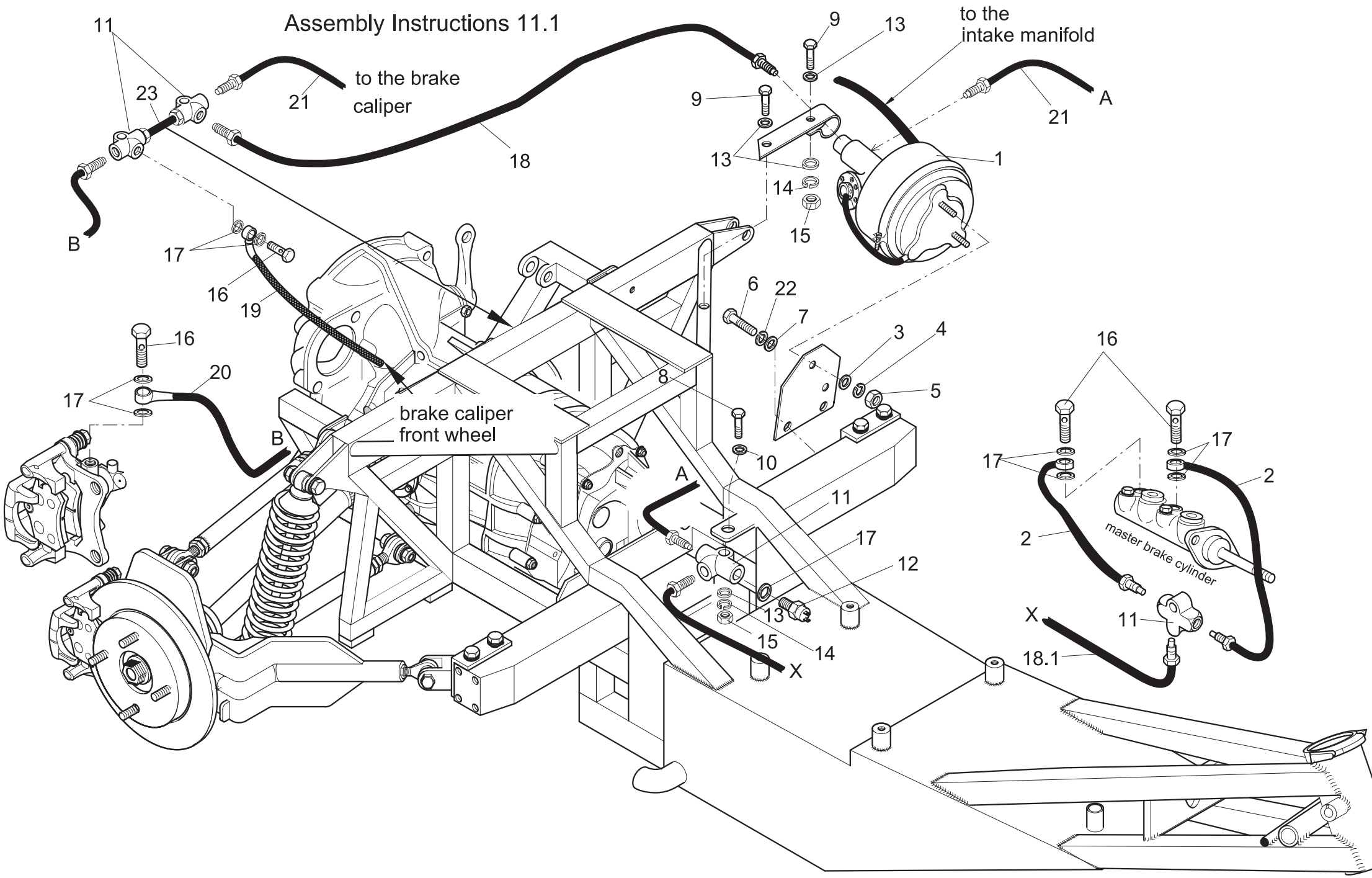
Assembly Instructions 11



## Modell: rewaco FX6 Base Seite: 11

| Pos. | Q'ty | Art.-No.     | Article Description  |
|------|------|--------------|--|
| 1    | 1    | 0933 A2 6/30 | hexagon screw A2 M06X30  |
| 2    | 2    | 0125 A2 6    | washer A2 M6   |
| 3    | 1    | 0127 B A2 6  | spring lock washer Form B A2 M6  |
| 4    | 1    | 0934 A2 6    | hexagon nut A2 M06   |
| 5    | 2    | 12 0010 1    | brake manifold t-piece   |
| 6    | 1    | 12 0020 2    | brake light switch   |
| 7    | 1    | 05 2100 1    | steel braided hose 2100mm, RF1 + FX (2400mm long), ring connection 45°/ring connection 45° |
| 8    | 1    | 05 1400 1    | steel braided hose 1400mm, RF1 + FX, outer threat 10mm/ring connection 45°                 |
| 9    | 1    | 05 0130 2    | steel braided hose, front brake, 1080mm, outer threat 10mm, ring connection 45°            |
| 10   | 11   | 05 0210 2    | seal ring 10mm, banjo bolt brake master cylinder   |
| 11   | 2    | 05 0200 2    | banjo bolt, brake master cylinder M10X1X18   |
| 12   | 2    | 05 1200 2    | banjo bolt M10X1X22, rear brake caliper  |
| 13   | 1    | 05 1002 1    | steel braided hose 300 (400 mm) outer threat 10mm, ring connection 45°                     |

Assembly Instructions 11.1





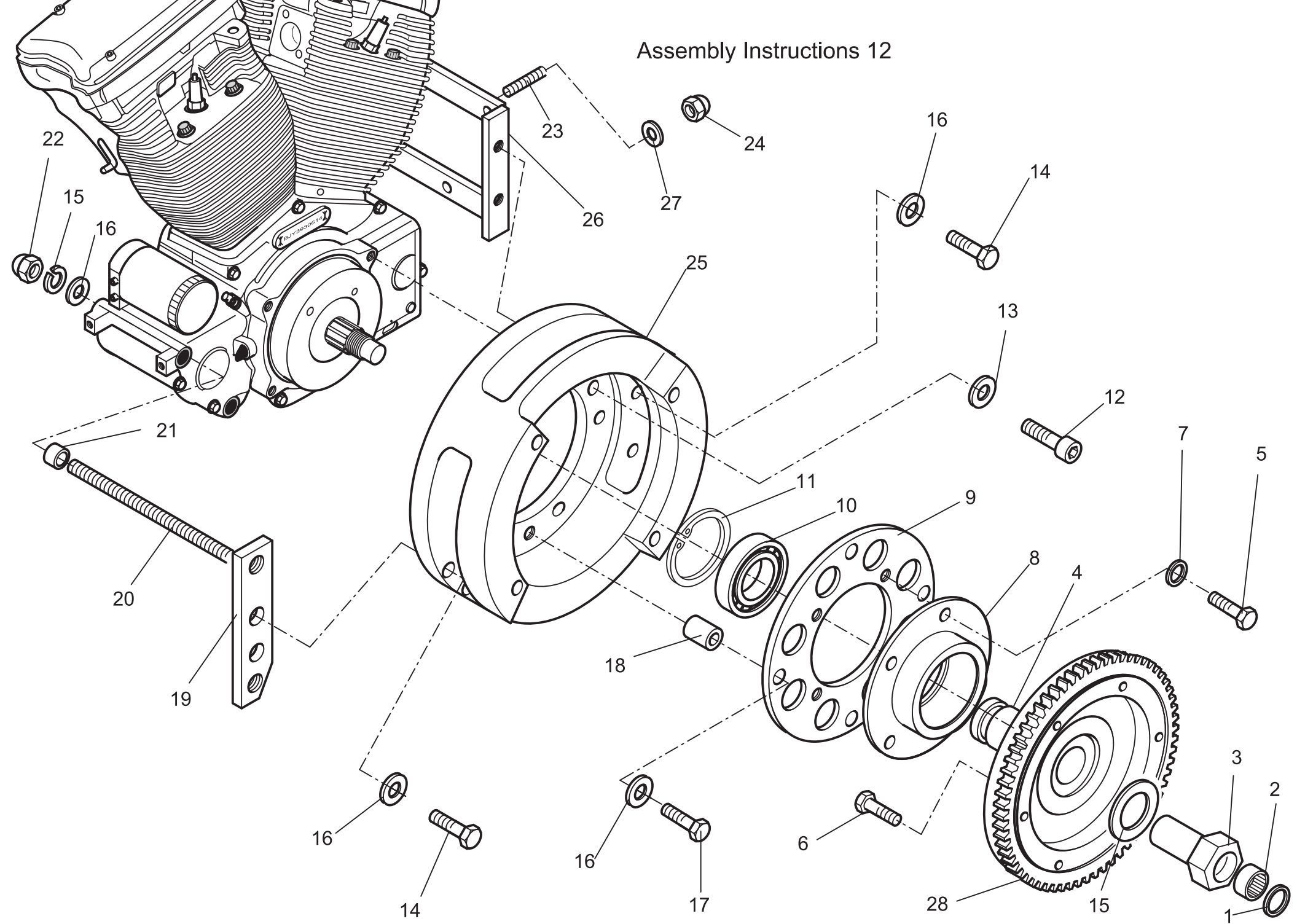
## Modell: rewaco FX6 Base Seite: 11,1

| Pos. | Q'ty | Art.-No.              | Article Description  |
|------|------|-----------------------|--|
| 1    | 1    | 33 99191 1            | brake booster HS1-HS6  |
| 2    | 2    | 05 1002 1             | steel braided hose 300 (400 mm) outer thread 10mm, ring connection 45°                         |
| 3    | 2    | 9021 A2 8             | washer, body, A2 M8  |
| 4    | 2    | 0127 B A2 8           | spring lock washer Form B A2 M8  |
| 5    | 2    | N 0934 5/16" x 18 UNC | hexagon nut 5/16" UNF A2   |
| 6    | 2    | 0933 A2 8/20          | hexagon screw A2 M08X20  |
| 7    | 2    | 0125 A2 8             | washer A2 M8   |
| 8    | 1    | 0933 A2 6/30          | hexagon screw A2 M06X30  |
| 9    | 1    | 0933 A2 6/20          | hexagon screw A2 M06X20  |
| 10   | 1    | 9021 A2 6             | washer, body, A2 M6  |
| 11   | 4    | 12 0010 1             | brake manifold t-piece   |
| 12   | 1    | 12 0020 2             | brake light switch   |
| 13   | 4    | 0125 A2 6             | washer A2 M6   |
| 14   | 2    | 0127 B A2 6           | spring lock washer Form B A2 M6  |
| 15   | 2    | 0934 A2 6             | hexagon nut A2 M06   |
| 16   | 4    | 05 0200 2             | banjo bolt, brake master cylinder M10X1X18   |
| 17   | 9    | 02-00193-U-01         | gasket ring, copper 10x16x1  |
| 18   | 1    | 05 1400 1             | steel braided hose 1400mm, RF1 + FX, outer thread 10mm/ring connection 45°                     |
| 18,1 | 1    | 12 0040 2             | brake hose 1430 mm   |
| 19   | 1    | 05 2100 1             | steel braided hose 2100mm, RF1 + FX (2400mm long), ring connection 45°/ring connection 45°     |
| 20   | 1    | 05 1700 1             | steel braided hose 1700mm, RF1 + FX (about 1600mm long), outer thread 10mm/ring connection 45° |
| 21   | 2    | 05 0130 2.1           | steel braided hose 600 mm/45° ring connection and M10x1 separately                             |
| 22   | 1    | 0127 B A2 8           | spring lock washer Form B A2 M8  |

## Modell: rewaco FX6 Base Seite: 11,1

| Pos. | Q'ty | Art.-No.      | Article Description |
|------|------|---------------|---------------------|
| 23   | 1    | 06-00756-C-01 | brake hose 350 mm   |

# Assembly Instructions 12



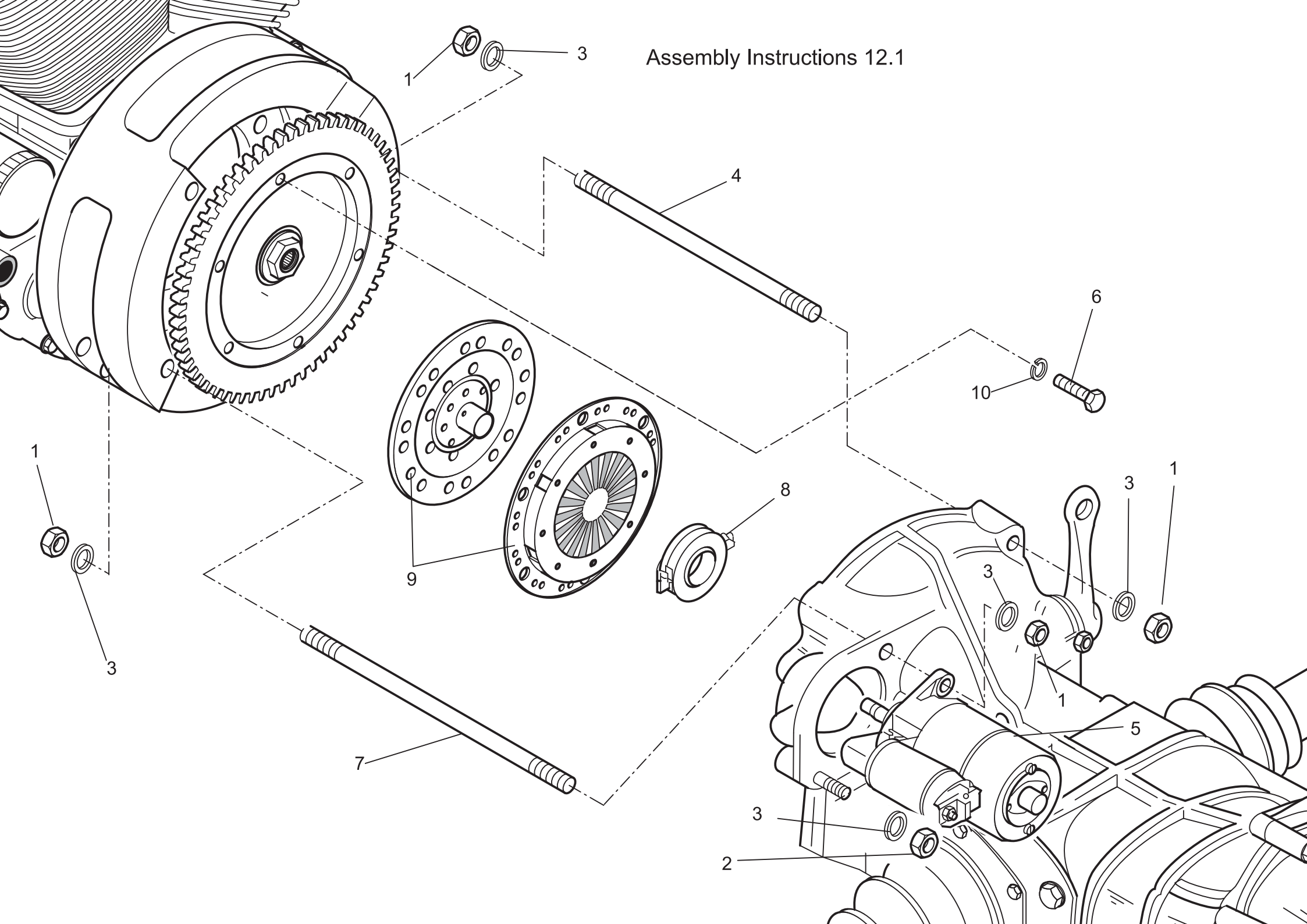
## Modell: rewaco FX6 Base Seite: 12

| Pos. | Q'ty | Art.-No.            | Article Description   |
|------|------|---------------------|---|
| 1    | 1    | 30 1027 1.1         | oil seal, flywheel V-twin   |
| 2    | 1    | 08 7876 1           | needle bearing HK1512 V-Twin                                      |
| 3    | 1    | 30 1008 1           | mounting bolt, flywheel HS6                                       |
| 4    | 1    | 09 9082 6           | adaptor flywheel HS6 Twin Cam                                     |
| 5    | 4    | 0933 A2 8/20        | hexagon screw A2 M08X20   |
| 6    | 9    | 0961 ZN 10/1/20     | hexagon screw 12.9 zinc plated M10x1x20                           |
| 7    | 4    | 0125 A2 8           | washer A2 M8  |
| 8    | 1    | 33 3231 2           | bearing box for self-aligning ball-bearing HS6                    |
| 9    | 1    | 33 3120 4           | adaptor plate for flywheel HS6                                    |
| 10   | 1    | 33 2027 1           | ball joint bearing 2210.2RS.TV                                    |
| 11   | 1    | 33 2028 1           | circlip DIN 472   |
| 12   | 4    | 0912 UNC 5/16x1-3/4 | hexagon socket screw 12.9 5/16"x1-3/4"                            |
| 13   | 4    | 9021 A2 8           | washer, body, A2 M8   |
| 14   | 4    | 0933 A2 10/40       | hexagon screw A2 M10X40   |
| 15   | 1    | 0125 28             | washer form B 28 flywheel HS6                                     |
| 16   | 12   | 7349 ZN 10/25/4     | washer zinc M10X25X4  |
| 17   | 4    | 0933 ZN 10/70       | hexagon screw 8.8 zinc plated M10X70                              |
| 18   | 4    | 13 0029 4           | distance sleeve for aloy-engine-adaptor mounting plate HS6 / 36mm |
| 19   | 1    | 30 1018 2           | bracket, engine mount rh HS6 Twin-Cam                             |
| 20   | 2    | 30 1011 1.1         | threaded bolt M10X195   |
| 21   | 2    | 13 0030 4           | distance sleeve for aloy-engine-adaptor HS6 / 17.5mm              |
| 22   | 2    | 1587 A2 10          | acorn nut A2 M10  |
| 23   | 8    | 07 1254 3           | dowel pin 3/8"-UNC 8.8 / 1 3/4" long (ca.35mm)                    |
| 24   | 8    | 1587 A2 12          | acorn nut A2 3/8-16 UNC   |
| 25   | 1    | 09 9182 6           | engine adaptor HD Twin Cam  |
| 26   | 1    | 30 1019 2           | bracket, engine mount lh HS6 Twin-Cam                             |
| 27   | 8    | 0125 A2 10          | washer A2 M10   |

## Modell: rewaco FX6 Base Seite: 12

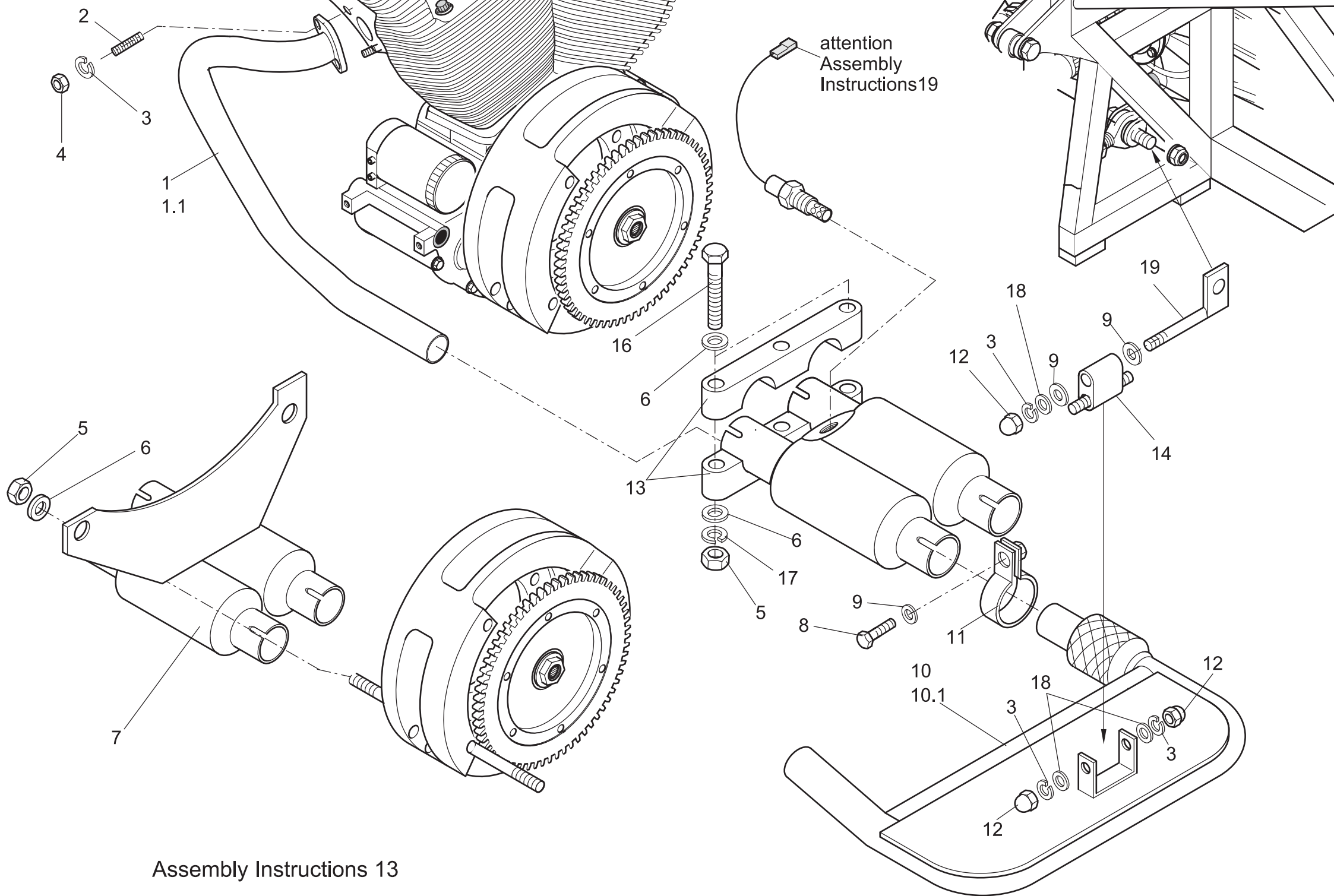
| Pos. | Q'ty | Art.-No.      | Article Description       |
|------|------|---------------|---------------------------|
| 28   | 1    | 04-00192-H-01 | fly wheel with flange HS6 |

# Assembly Instructions 12.1



## Modell: rewaco FX6 Base Seite: 12,1

| Pos. | Q'ty | Art.-No.      | Article Description               |
|------|------|---------------|-----------------------------------|
| 1    | 8    | 0934 ZN 10    | hexagon nut zinc plated M10       |
| 2    | 1    | 0934 ZN 10/15 | hexagon nut SW15 zinc plated M10  |
| 3    | 4    | 0125 ZN 10    | washer zinc plated M10            |
| 4    | 3    | 30 1011 1     | threaded bolt M10X185             |
| 5    | 1    | 03-00786-J-01 | starter motor 12V FX6-BOSCH       |
| 6    | 6    | 0933 A2 8/20  | hexagon screw A2 M08X20           |
| 7    | 1    | 30 1010 1     | threaded bolt M10X220             |
| 8    | 1    | 13 0100 2     | disengage bearing, guided         |
| 9    | 1    | 13 0071 2     | repair set, clutch, guided 200 mm |
| 10   | 6    | 0127 B A2 8   | spring lock washer Form B A2 M8   |



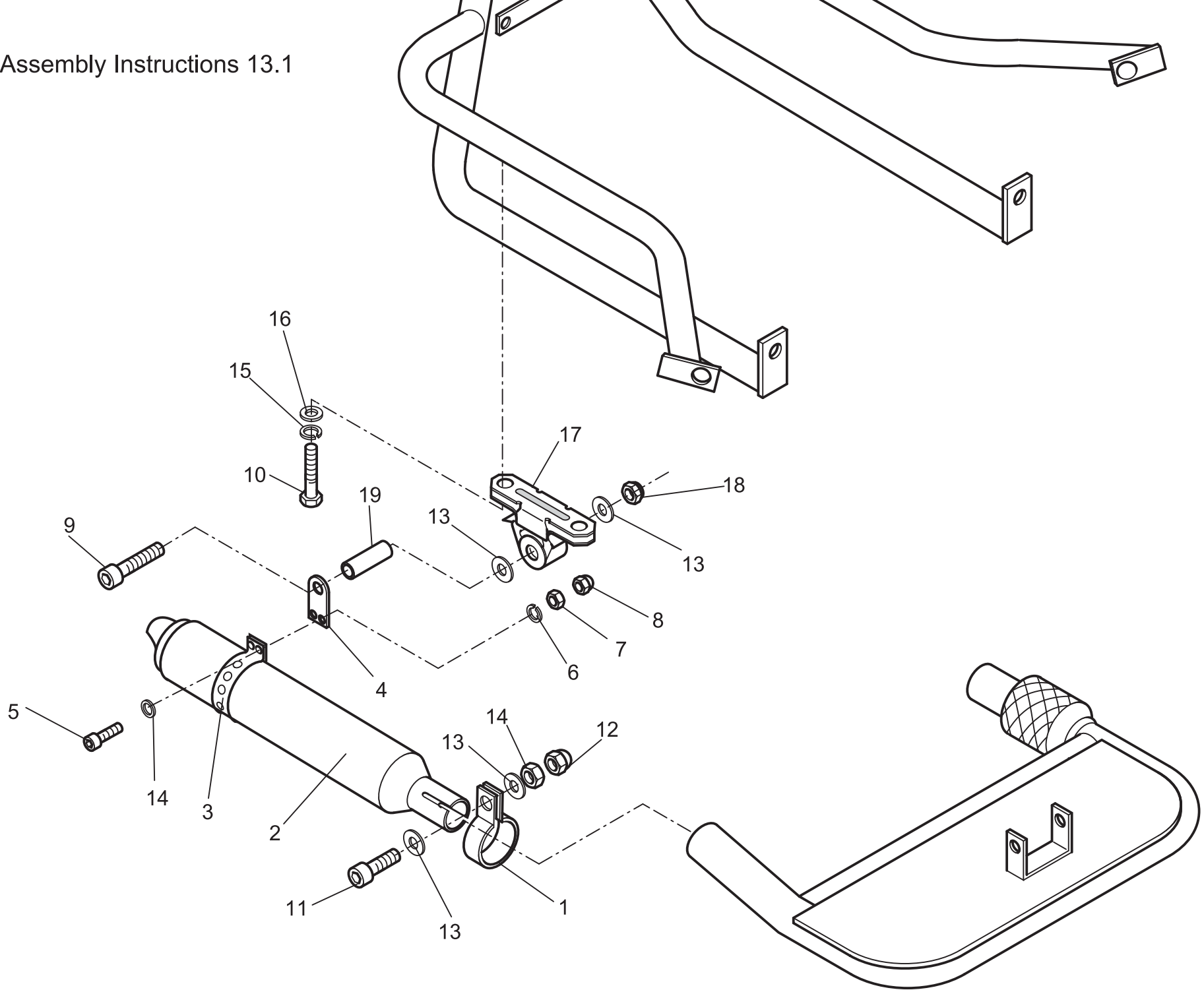
attention  
Assembly  
Instructions 19

Assembly Instructions 13

## Modell: rewaco FX6 Base Seite: 13

| Pos. | Q'ty | Art.-No.                 | Article Description                             |
|------|------|--------------------------|---|
| 1    | 1    | 30 0101 2                | exhaust manifold HS6, lh                        |
| 1,1  | 1    | 30 0100 2                | exhaust manifold HS6, rh                        |
| 2    | 4    | 10 0124 1                | threaded pin 10.9 black 5/16"-UNC 10.9 HS6      |
| 3    | 5    | 0127 B A2 8              | spring lock washer Form B A2 M8                 |
| 4    | 4    | N 0934 5/16" x 18<br>UNC | hexagon nut 5/16" UNF A2                        |
| 5    | 5    | 0934 ZN 10               | hexagon nut zinc plated M10                     |
| 6    | 10   | 7349 ZN 10/25/4          | washer zinc M10X25X4                            |
| 7    | 1    | 33 2000 1                | cat. with holding sheet HS6                     |
| 8    | 4    | 0933 A2 8/30             | hexagon screw A2 M08X30                         |
| 9    | 10   | 9021 A2 8                | washer, body, A2 M8                             |
| 10   | 1    | 03-00122-F-01            | collector, exhaust, lh, with flexible tube, FX6 |
| 10,1 | 1    | 03-00123-F-01            | collector, exhaust, rh, with flexible tube, FX6 |
| 11   | 2    | 30 1226 1                | clamp 48 mm, HS6                                |
| 12   | 3    | 1587 A2 8                | acorn nut A2 M08                                |
| 13   | 1    | 30 1069 1                | clamp, aluminium, exhaust manifold HS6/FX6      |
| 14   | 2    | 06-00551-E-01            | rubber, exhaust RF1 and FX6                     |
| 15   | 2    | 0933 ZN 10/60            | hexagon screw zinc plated M10X60                |
| 16   | 3    | 0931 ZN 10/85            | hexagon screw zinc plated M10X85                |
| 17   | 3    | 0127 B A2 10             | spring lock washer Form B A2 M10                |
| 18   | 3    | 0125 A2 8                | washer A2 M8                                    |
| 19   | 2    | 06-00550-F-01            | bracket for front muffler FX6                   |

Assembly Instructions 13.1

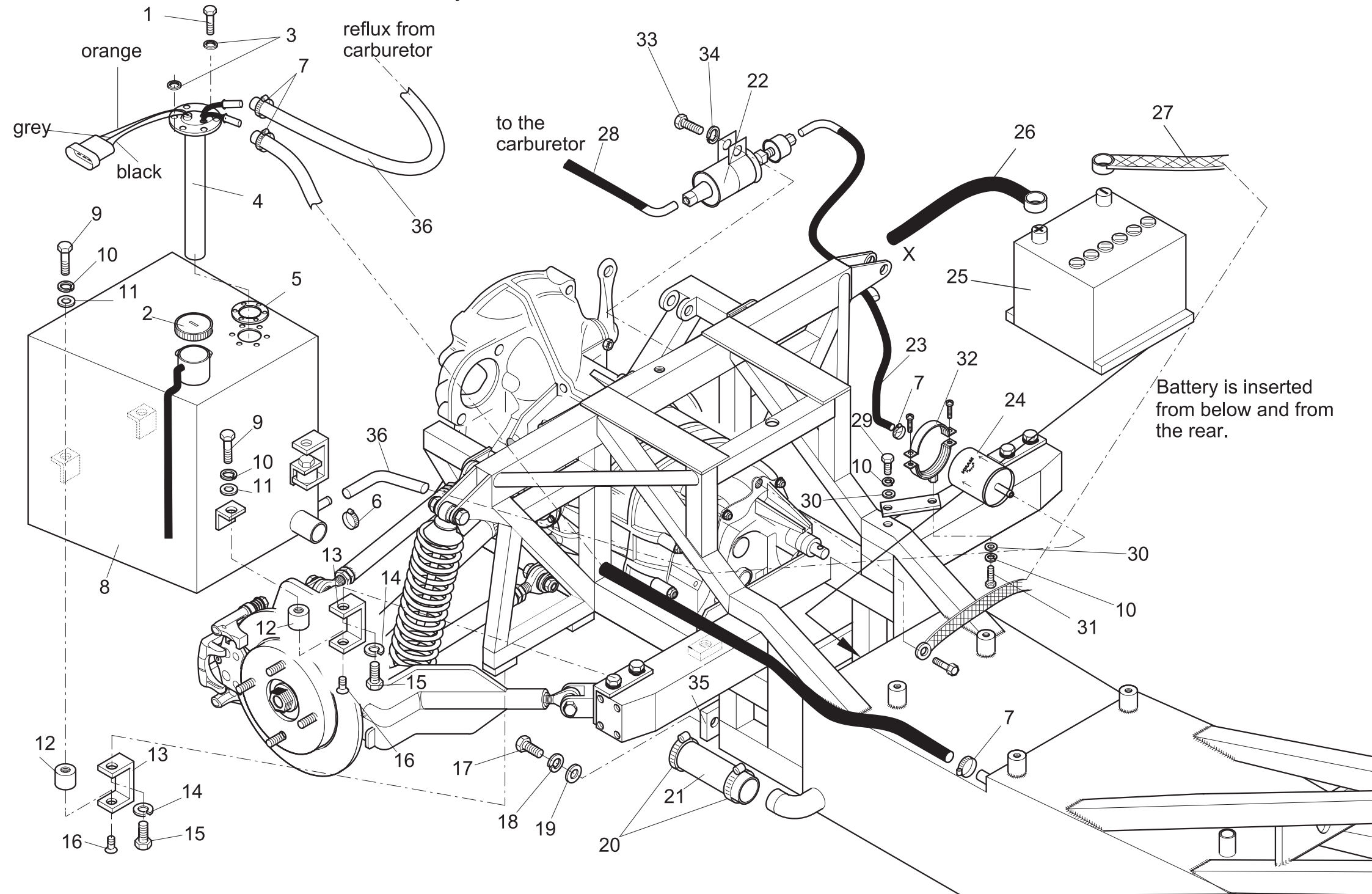




## Modell: rewaco FX6 Base Seite: 13,1

| Pos. | Q'ty | Art.-No.      | Article Description                                       |
|------|------|---------------|---|
| 1    | 2    | 19 0889 1     | pipe clip, exhaust mounting dia.48                        |
| 2    | 2    | 03-00111-U-01 | exhaust silencer Cobra Duplex since 04/2006 (1 pc.)       |
| 3    | 2    | 03-00112-U-01 | exhaust clamp 106mm for Sport-Line silencer since 04/2006 |
| 4    | 2    | 06-00537-F-01 | bracket for Sportline exhaust FX6                         |
| 5    | 4    | 0912 A2 6/20  | hexagon socket screw A2 M06X20                            |
| 6    | 2    | 0127 B A2 6   | spring lock washer Form B A2 M6                           |
| 7    | 4    | 0934 A2 6     | hexagon nut A2 M06  |
| 8    | 4    | 1587 A2 6     | acorn nut A2 M06  |
| 9    | 2    | 0912 A2 10/90 | hexagon socket screw A2 M10X90                            |
| 10   | 2    | 0933 A2 8/30  | hexagon screw A2 M08X30                                   |
| 11   | 2    | 0912 A2 10/30 | hexagon socket screw A2 M10X30                            |
| 12   | 2    | 1587 A2 10    | acorn nut A2 M10  |
| 13   | 8    | 9021 A2 10    | washer, body, A2 M10                                      |
| 14   | 4    | 0125 A2 6     | washer A2 M6  |
| 15   | 4    | 0127 B A2 8   | spring lock washer Form B A2 M8                           |
| 16   | 4    | 9021 A2 8     | washer, body, A2 M8                                       |
| 17   | 2    | 20 4310 1     | exhaust bracket V-Twin/ exhaust rubber                    |
| 18   | 2    | 0985 ZN 10    | hexagon nut, self-locking zinc plated M10                 |
| 19   | 2    | 06-00538-F-01 | connecting tube for bracket Sportline exhaust FX6         |

# Assembly Instructions 14



Battery is inserted from below and from the rear.

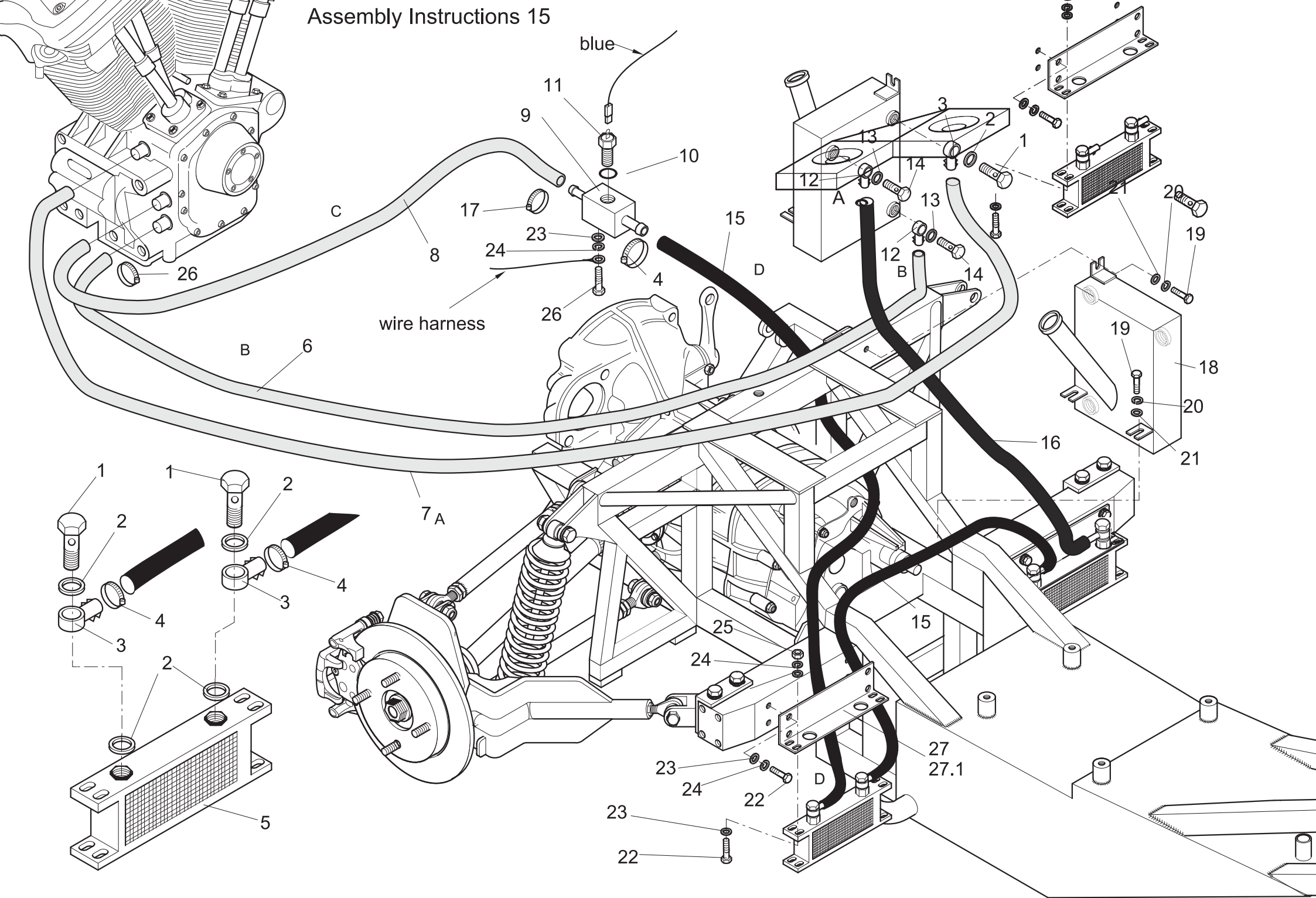
## Modell: rewaco FX6 Base Seite: 14

| Pos. | Q'ty | Art.-No.      | Article Description   |
|------|------|---------------|---|
| 1    | 6    | 0933 A2 5/20  | hexagon screw A2 M05X20   |
| 2    | 1    | 18 0589 4     | cap, fuel tank, lockable HS4/HS5/HS6 / cap, oil filler neck HS1 to HS6  |
| 3    | 6    | 0125 A2 5     | washer A2 M5  |
| 4    | 1    | 14 1040 2     | fuel level sender, dip pipe 372mm since 3/2001  |
| 5    | 1    | 14 0042 2     | gasket fuel level sender (rubber, 6 holes)  |
| 6    | 2    | 16 0120 3     | hose clamp Cobra 14 mm  |
| 7    | 4    | 539 8 12      | Zebra-hose clip B 7.5mm SW6 8-12  |
| 8    | 1    | 06-00544-F-01 | additional fuel tank FX4-6 (20ltrs.)  |
| 9    | 4    | 0933 A2 8/16  | hexagon screw A2 M08X16   |
| 10   | 5    | 0127 B A2 8   | spring lock washer Form B A2 M8   |
| 11   | 4    | 9021 A2 8     | washer, body, A2 M8   |
| 12   | 4    | 33 6667 2     | silent block, cushion, for tank mount since 08/2001, dia. 30 hei.20 2XM8 internal thread                        |
| 13   | 4    | 20 0052 3     | bracket for fuel tank mounting since 08/2001 (silent block)   |
| 14   | 4    | 0137 B ZN 10  | spring lock washer Form B zinc plated M10   |
| 15   | 4    | 0933 ZN 10/20 | hexagon screw 8.8 zinc plated M10X20  |
| 16   | 4    | 7991 ZN 8/12  | countersunk screw zinc M08X12   |
| 17   | 2    | 0933 ZN 12/30 | hexagon screw zinc plated M12X30  |
| 18   | 1    | 0127 B A2 12  | spring lock washer Form B A2 M12  |
| 19   | 1    | 0125 A2 12    | washer A2 M12   |
| 20   | 2    | 16 0121 1     | hose clamp Torro 40-60 mm   |
| 21   | 1    | 11-00550-L-01 | hose connection, main tank-additional tank FX   |
| 22   | 1    | 03-00089-C-01 | fuelpump, electrical, HS4/HS5 (fuel injection)  |
| 23   | 0,34 | 11-00546-U-01 | fuel hose, inner dia.: 7.0mm, outer dia.: 13.0mm, 340mm long DIN 73379, rubber with textile inlay, plain, black |
| 24   | 1    | 20 8571 2     | fuel filter since 12/2000 (big) HS4-HS6   |
| 25   | 1    | 10 0034.1     | battery 12V/36 AH   |

## Modell: rewaco FX6 Base Seite: 14

| Pos. | Q'ty | Art.-No.      | Article Description              |
|------|------|---------------|----------------------------------|
| 26   | 1    | 15 0070 2     | wire assembly, battery positive  |
| 27   | 1    | 15 0020 2     | ground strap                     |
| 28   | 1    | 13 0196 4     | fuel hose 8mm/700mm long         |
| 29   | 1    | 0933 A2 8/20  | hexagon screw A2 M08X20          |
| 30   | 2    | 0125 A2 8     | washer A2 M8                     |
| 31   | 1    | 0933 A2 8/25  | hexagon screw A2 M08X25          |
| 32   | 1    | 19 0898 2     | pipe clip 68-73mm (fuel filter)  |
| 33   | 1    | 0933 A2 6/25  | hexagon screw A2 M06X25          |
| 34   | 1    | 0125 A2 6     | washer A2 M6                     |
| 35   | 1    | 06-00569-U-01 | clamp rail for battery FX        |
| 36   | 1    | 13 0195 3     | fuel hose 5.5x10.5mm/1000mm long |

# Assembly Instructions 15



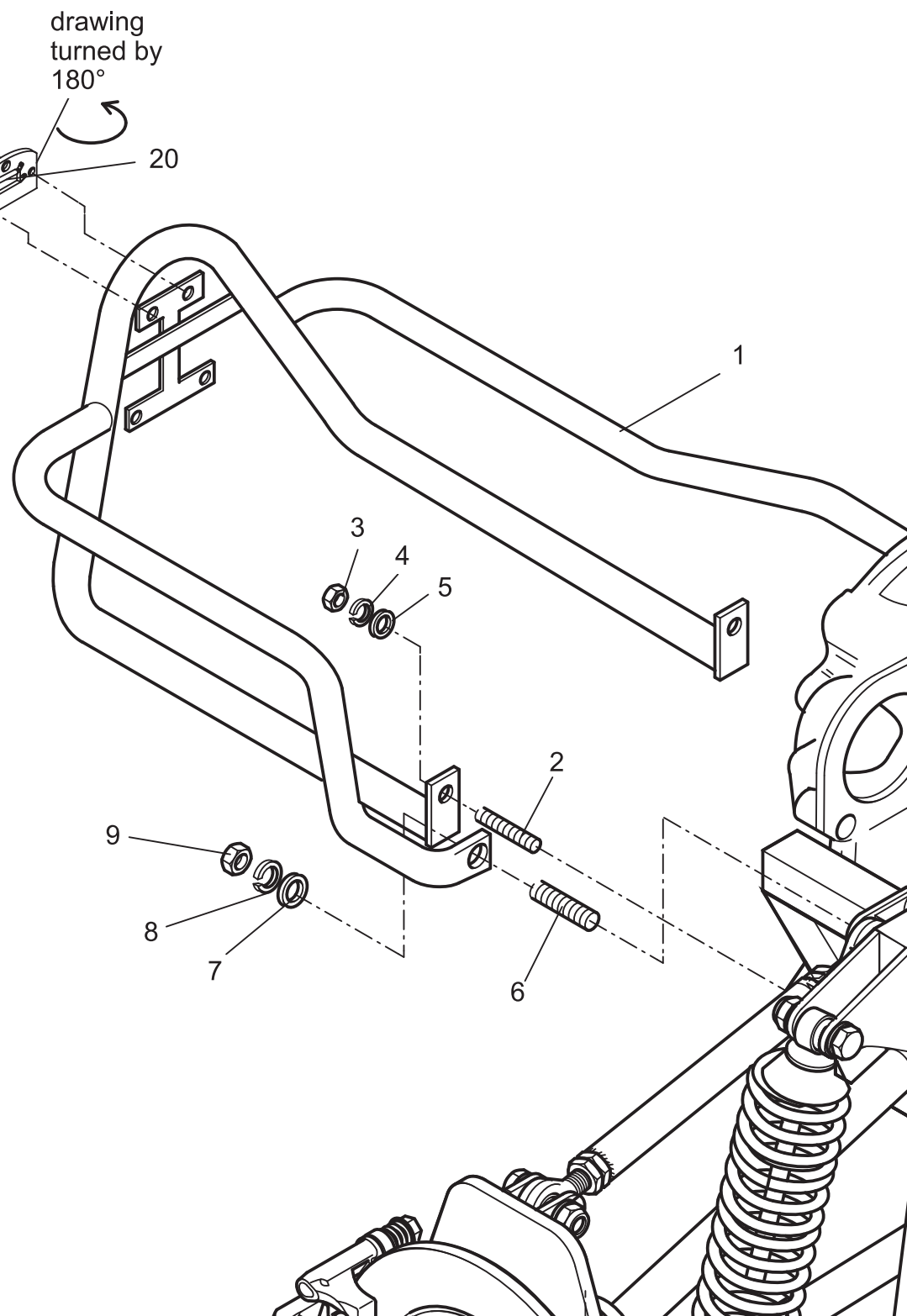
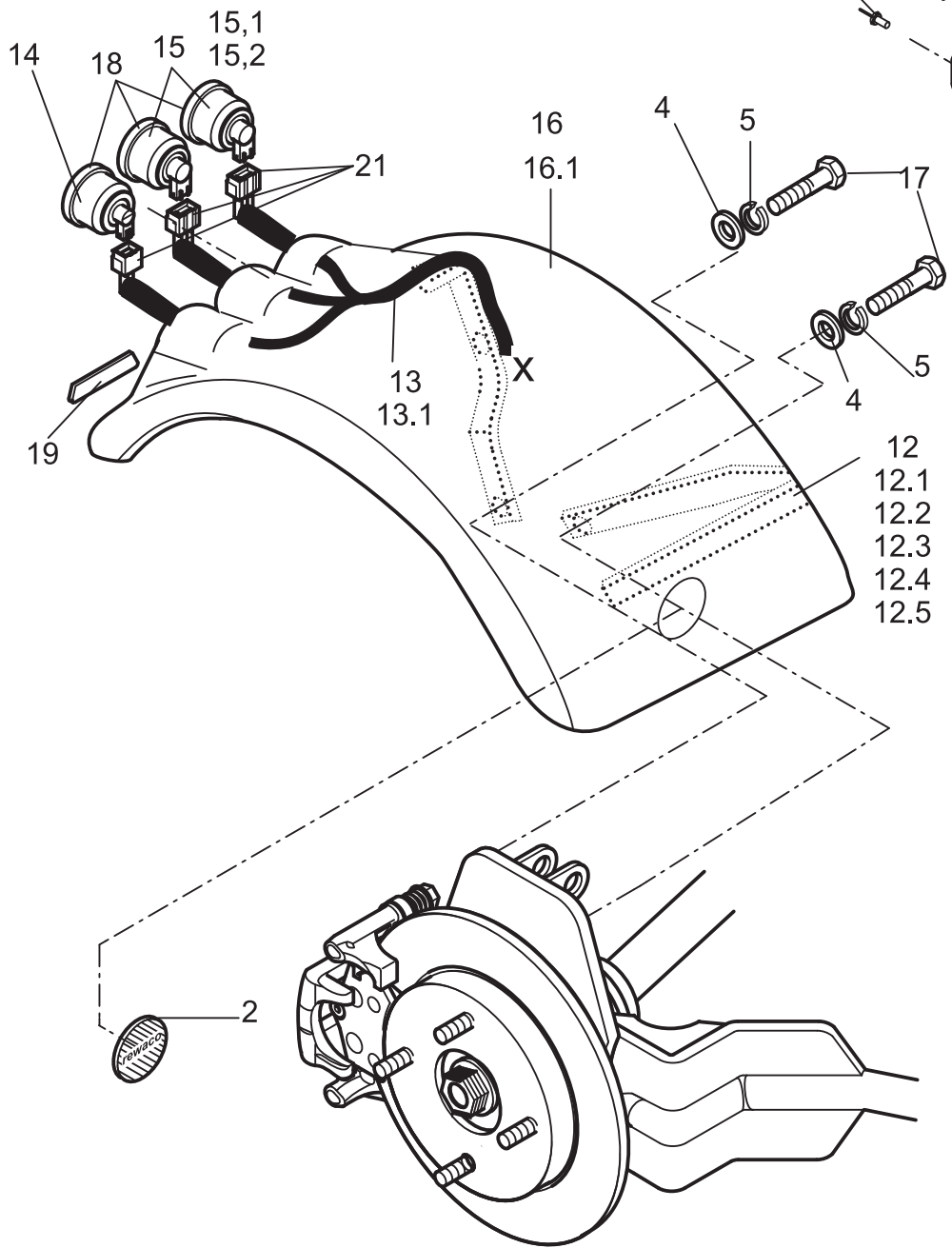
## Modell: rewaco FX6 Base Seite: 15

| Pos. | Q'ty | Art.-No.      | Article Description   |
|------|------|---------------|---|
| 1    | 5    | 15 0033 5     | banjo bolt M18  |
| 2    | 10   | 14 0988 1     | gasket 18 mm copper   |
| 3    | 5    | 15 0033 4     | ringfitting M18, oil cooler, for 1/2" hose                  |
| 4    | 6    | 16 0120 4     | hose clamp Cobra 17 mm                                      |
| 5    | 2    | 15 0040 2     | oil cooler HS6 + Turbo (HS1-HS5 until 12/2000)              |
| 6    | 1    | 03-00562-H-01 | oil cooler hose 1000mm, FX6                                 |
| 7    | 1    | 03-00560-01   | oil cooler hose 750mm, braided, FX6                         |
| 8    | 1    | 03-00561-H-01 | oil cooler hose 370mm, braided, FX6                         |
| 9    | 1    | 30 1035 2     | housing, oil temperature sensor HS6                         |
| 10   | 1    | 14 0987 1     | gasket 14 mm copper   |
| 11   | 1    | 13 0215 2     | sensor for oil temperature gauge (VDO characteristic curve) |
| 12   | 2    | 15 1033 4     | ringfitting 1/4" Harley                                     |
| 13   | 4    | 15 0034 3     | gasket-ring 1/4 " ( for Banjo)                              |
| 14   | 2    | 15 2033 4     | banjo bolt 1/4" Harley                                      |
| 15   | 2    | 15 0031 1     | hose, oil cooler 1200mm HS6                                 |
| 16   | 1    | 15 0033 2     | hose, oil cooler 500mm HS6                                  |
| 17   | 4    | 16 0120 3     | hose clamp Cobra 14 mm                                      |
| 18   | 1    | 03-00124-F-01 | oiltank, FX   |
| 19   | 3    | 0933 A2 8/20  | hexagon screw A2 M08X20                                     |
| 20   | 3    | 0127 B A2 8   | spring lock washer Form B A2 M8                             |
| 21   | 3    | 9021 A2 8     | washer, body, A2 M8   |
| 22   | 16   | 0933 A2 6/16  | hexagon screw A2 M06X16                                     |
| 23   | 24   | 0125 A2 6     | washer A2 M6  |
| 24   | 17   | 0127 B A2 6   | spring lock washer Form B A2 M6                             |
| 25   | 8    | 0934 A2 6     | hexagon nut A2 M06  |
| 26   | 1    | 0933 A2 6/12  | hexagon screw A2 M06X12                                     |
| 27   | 1    | 33 2007 1     | mount for oil cooler HS6, lh, since 1/2001                  |

## Modell: rewaco FX6 Base Seite: 15

| Pos. | Q'ty | Art.-No.  | Article Description                        |
|------|------|-----------|--|
| 27,1 | 1    | 33 2008 1 | mount for oil cooler HS6, rh, since 1/2001 |

# Assembly Instructions 16



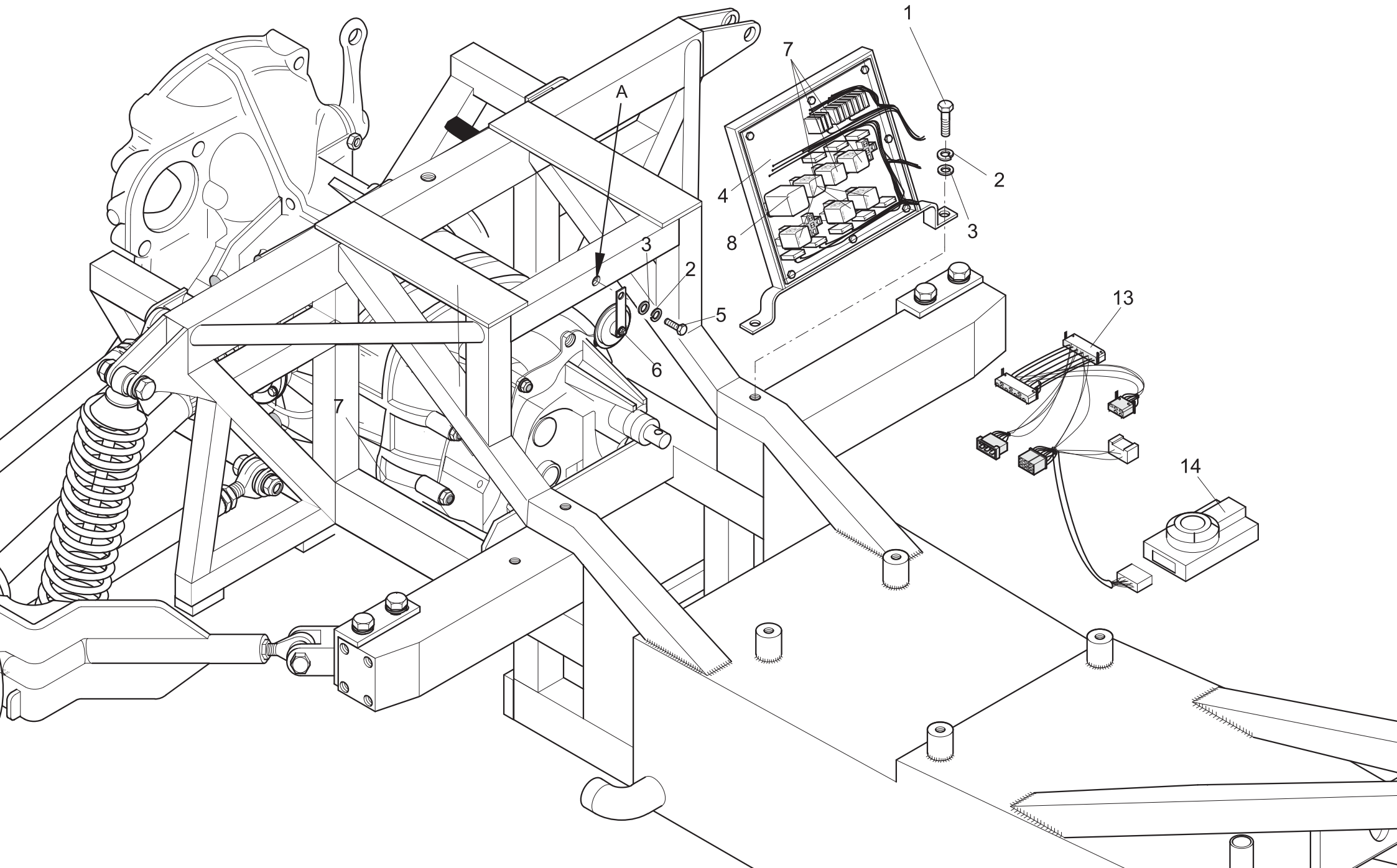
## Modell: rewaco FX6 Base Seite: 16

| Pos. | Q'ty | Art.-No.      | Article Description  |
|------|------|---------------|--|
| 1    | 1    | 08-00101-U-01 | engine protection bar FX6 since 04/2006, stainless steel   |
| 2    | 2    | 0938 ZN 10/30 | stud bolt 8.8 zinc plated M10X30   |
| 3    | 2    | 0934 A2 10    | hexagon nut A2 M10   |
| 4    | 6    | 0127 B A2 10  | spring lock washer Form B A2 M10   |
| 5    | 6    | 9021 A2 10    | washer, body, A2 M10   |
| 6    | 2    | 0938 ZN 12/40 | stud bolt 8.8 zinc plated M12X40   |
| 7    | 2    | 0125 A2 12    | washer A2 M12  |
| 8    | 2    | 0127 B A2 12  | spring lock washer Form B A2 M12   |
| 9    | 2    | 0934 A2 12    | hexagon nut A2 M12   |
| 10   | 2    | N6300464      | blind rivet Al/St flat 4x12  |
| 11   | 1    | 18 0991 2     | lamp, registration plate, chrome plated, HS/FX   |
| 12   | 1    | 06-00797-F-01 | bracket for mudguard 10", FX, for laminating, lh rear, rh front                                  |
| 12,1 | 1    | 06-00534-F-01 | bracket for mudguard 10", FX, for laminating, lh front, rh rear                                  |
| 12,2 | 1    | 06-00796-F-01 | bracket for mudguard 12", FX, for laminating, lh front, rh rear                                  |
| 12,3 | 1    | 08-00132-F-01 | bracket, mudguard 12" FX, for laminating, lh rear, rh front                                      |
| 12,4 | 1    | 08-00131-F-01 | bracket for mudguard 11", FX, for laminating, lh front, rh rear                                  |
| 12,5 | 1    | 06-00795-F-01 | bracket for mudguard 11", FX, for laminating, lh rear, rh front                                  |
| 13   | 1    | 01-00138-01   | wiring harness taillight FX4/6, rh, since 04/2006 - contacts mounted, 1x plug housing separately |
| 13,1 | 1    | 01-00140-U-01 | wiring harness taillight FX4/6, lh, since 04/2006 - contacts mounted, 1x plug housing separately |
| 14   | 2    | 09 7060 5     | turn signal RF1 + FX   |
| 15   | 4    | 17 7037 1     | brake-/tail light RF1/FX, 3-pole   |

## Modell: rewaco FX6 Base Seite: 16

| Pos. | Q'ty | Art.-No.           | Article Description                                |
|------|------|--------------------|--|
| 15,1 | 1    | 1--17 0080 2       | back up light RF1                                  |
| 15,2 | 1    | 17 0090 3          | rear fog light RF1                                 |
| 16   | 2    | 06-00545-U-01      | mudguard FX4/FX6 lh/rh 12"                         |
| 16,1 | 2    | 06-00544-U-01      | mudguard FX4/FX6 lh/rh 10-11"                      |
| 17   | 1    | 0961 ZN 10/1.25/30 | hexagon screw 10.9 zinc plated M10x1.25x30         |
| 18   | 6    | 01-00135-01        | aluminium ring tail lights FX                      |
| 19   | 2    | 06-00717-U-01      | decals rewaco logo, round bow                      |
| 20   | 1    | 18 0589 1          | bulb 12V 5W  |
| 21   | 6    | 01-00218-01        | plug housing for taillight/brake light RF1, 3 pole |
| 22   | 16   | N1304850 S         | cable strap 4.8X200 mm                             |

# Assembly Instructions 17

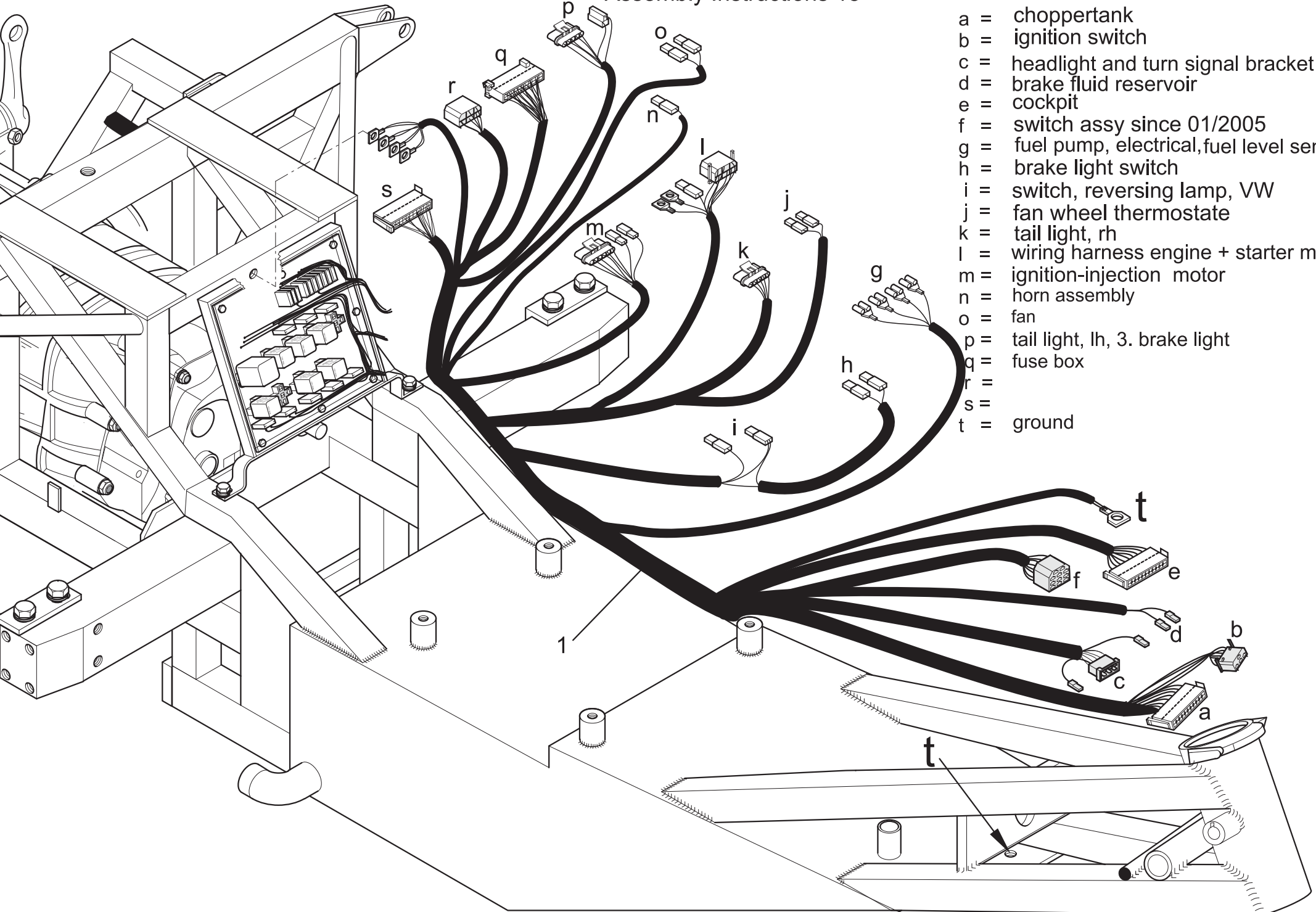




## Modell: rewaco FX6 Base Seite: 17

| Pos. | Q'ty | Art.-No.      | Article Description                               |
|------|------|---------------|---|
| 1    | 4    | 0933 A2 8/16  | hexagon screw A2 M08X16                           |
| 2    | 5    | 0127 B A2 8   | spring lock washer Form B A2 M8                   |
| 3    | 5    | 0125 A2 8     | washer A2 M8                                      |
| 4    | 1    | 04-00198-U-01 | central electric device FX/RF                     |
| 5    | 1    | 0933 A2 8/20  | hexagon screw A2 M08X20                           |
| 6    | 1    | 09 0090 2     | horn assembly                                     |
| 7    | 6    | 18 0586 1     | relay 30A   |
| 8    | 1    | 18 0585 2     | turn signal relay, HS1-6/RF1                      |
| 9    | 2    | 20 2001 1     | fuse 30 Amp                                       |
| 10   | 4    | 20 2002 1     | fuse 20 Amp                                       |
| 11   | 4    | 20 2003 1     | fuse 15 Amp                                       |
| 12   | 4    | 20 2004 1     | fuse 10 Amp                                       |
| 13   | 1    | 01-00214-01   | wiring harness, alarm device, FX-RF               |
| 14   | 1    | 01-00217-U-01 | alarm device and immobilizer LEGOS 4 - not for GB |

# Assembly Instructions 18

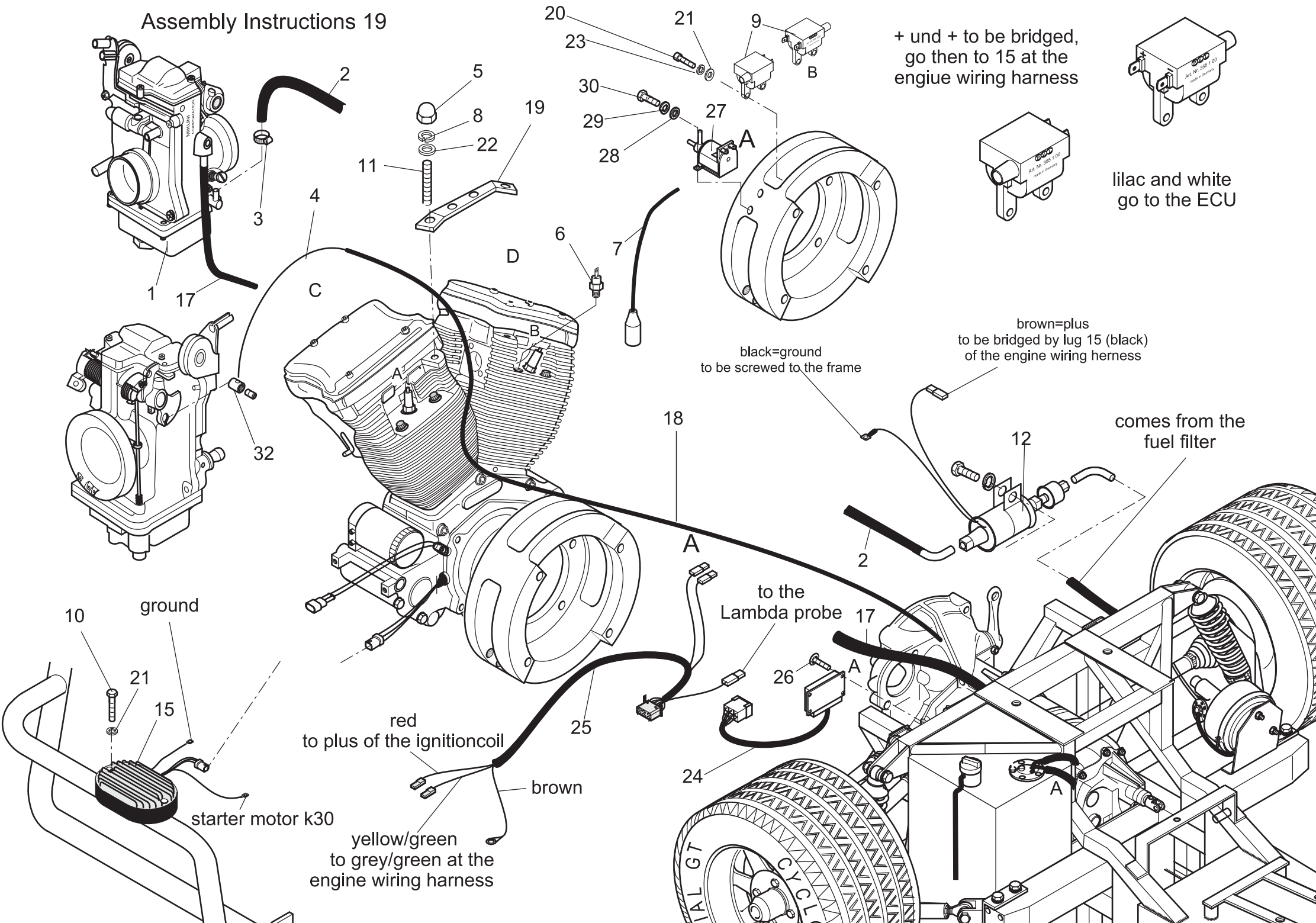


- a = choppertank
- b = ignition switch
- c = headlight and turn signal bracket
- d = brake fluid reservoir
- e = cockpit
- f = switch assy since 01/2005
- g = fuel pump, electrical, fuel level sender
- h = brake light switch
- i = switch, reversing lamp, VW
- j = fan wheel thermostate
- k = tail light, rh
- l = wiring harness engine + starter motor
- m = ignition-injection motor
- n = horn assembly
- o = fan
- p = tail light, lh, 3. brake light
- q = fuse box
- r =
- s =
- t = ground

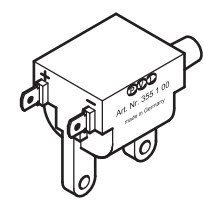
## Modell: rewaco FX6 Base Seite: 18

| Pos. | Q'ty | Art.-No.      | Article Description       |
|------|------|---------------|---------------------------|
| 1    | 1    | 01-00150-U-01 | wiring harness chassis FX |

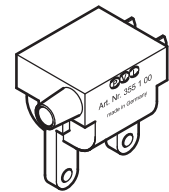
# Assembly Instructions 19



+ und + to be bridged,  
go then to 15 at the  
engine wiring harness



lilac and white  
go to the ECU



brown=plus  
to be bridged by lug 15 (black)  
of the engine wiring harness

black=ground  
to be screwed to the frame

comes from the  
fuel filter

to the  
Lambda probe 17

red  
to plus of the ignitioncoil

yellow/green  
to grey/green at the  
engine wiring harness

starter motor k30

ground

24

brown

25

26

A

12

2

18

A

32

17

7

28

29

30

27

21

20

23

9

B

19

22

8

5

11

4

3

C

D

17

A

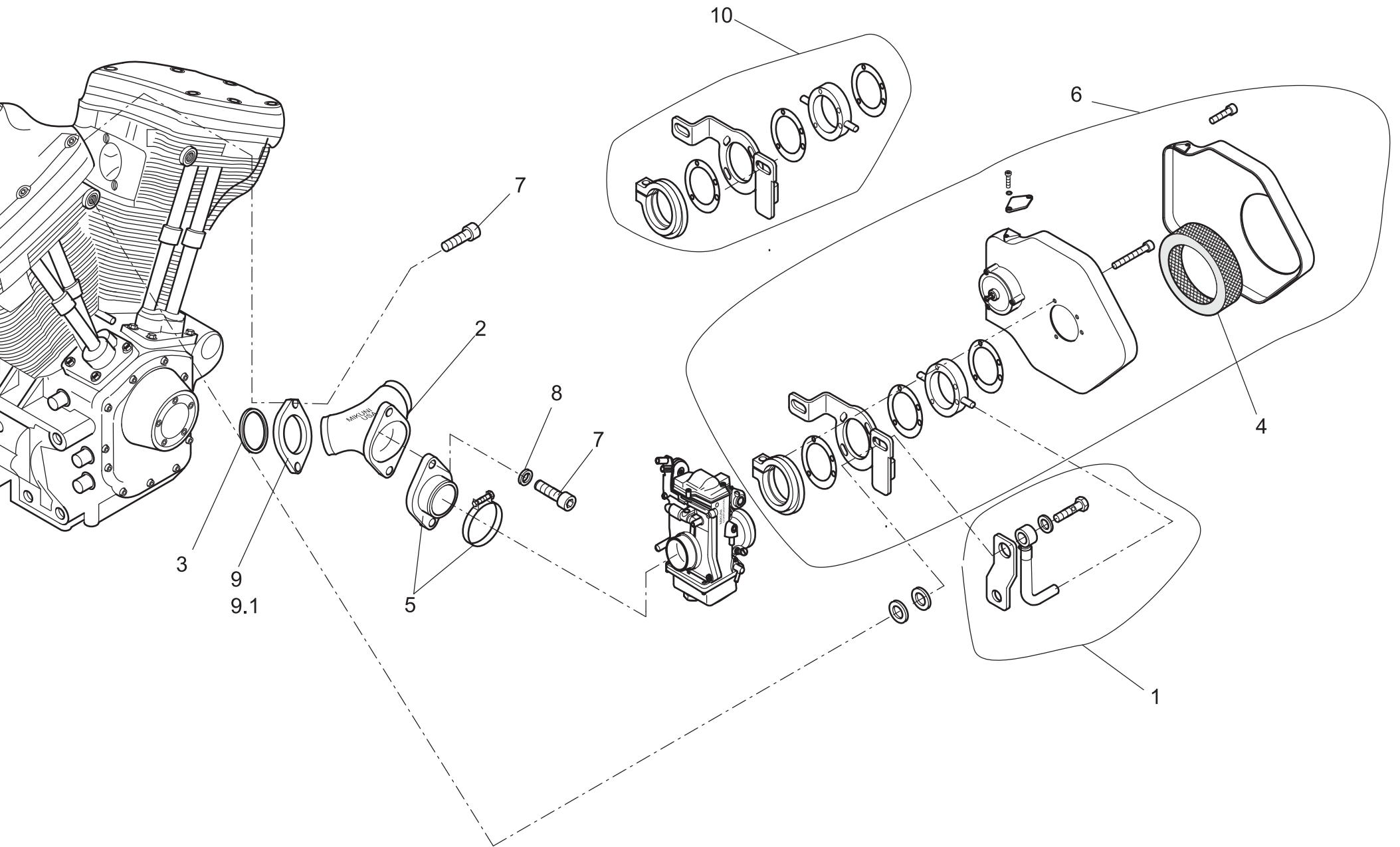
## Modell: rewaco FX6 Base Seite: 19

| Pos. | Q'ty | Art.-No.      | Article Description  |
|------|------|---------------|--|
| 1    | 1    | 42 1033 2     | carburetor Mikuni incl. needle valve; 2.3 HS6  |
| 2    | 2    | 13 0198 2     | fuel hose 8mm/500mm long   |
| 3    | 6    | 16 0120 2     | hose clamp Cobra 12 mm   |
| 4    | 1    | 34 2210 1     | inner cable, throttle cable, stainless steel, 3300 mm long for HS/FX/RF                              |
| 5    | 2    | 1587 A2 12    | acorn nut A2 3/8-16 UNC  |
| 6    | 1    | EA30 1051 1.1 | switch / temperature switch, fan wheel, HS 6   |
| 7    | 1    | 01 0480 41    | ignition wire compl. V-Twin Twin-Cam until 05/2007 (replaced by ignition wire set HS6i 0-00621-H-01) |
| 8    | 2    | 0127 B A2 10  | spring lock washer Form B A2 M10   |
| 9    | 2    | 01 0480 3     | ignition coil Twin Cam   |
| 10   | 2    | 0912 A2 5/30  | hexagon socket screw A2 M05X30   |
| 11   | 2    | 07 1254 3     | dowel pin 3/8"-UNC 8.8 / 1 3/4" long (ca.35mm)   |
| 12   | 1    | 34 2005 1     | electrical fuel pump FX6 + HS4-HS6 carburetor models   |
| 13   | 1    | 34 6043 0     | fitting 1/8 NPTF 90°   |
| 14   | 1    | 34 6042 0     | fitting 1/8 NPTF   |
| 15   | 1    | 30 0197 5.2   | regulator HS6 Twin Cam   |
| 16   | 1    | 13 0198 4     | fuel hose 8mm/400mm long   |
| 17   | 1    | 13 0195 3     | fuel hose 5.5x10.5mm/1000mm long   |
| 18   | 1    | 10 0100 1.4   | gas flue outer skin w/o. inner cable HS6/FX6   |
| 19   | 1    | 30 1044 2     | mounting for fuel hose HS6 (connects cylinder head)  |
| 20   | 4    | 0912 A2 5/20  | hexagon socket screw A2 M05X20   |
| 21   | 6    | 0125 A2 5     | washer A2 M5   |
| 22   | 1    | 0125 A2 10    | washer A2 M10  |
| 23   | 4    | 0127 B A2 5   | spring lock washer Form B A2 M5  |
| 24   | 1    | 13 0123 2.1   | control unit for cat.-carburetor system since  |

## Modell: rewaco FX6 Base Seite: 19

| Pos. | Q'ty | Art.-No.     | Article Description  |
|------|------|--------------|--|
|      |      |              | 02/2001  |
| 25   | 1    | 18 0201 3    | wire harness (lambda probe control unit) 1.6 and 1.8 ltr.              |
| 26   | 2    | N4,2X25VA    | Zebra-Pias-phillips panhead screw 4.2X25 stainless steel, self tapping |
| 27   | 1    | 13 0670 1    | valve for cold start FX/RF   |
| 28   | 4    | 0125 A2 4    | washer A2 M4   |
| 29   | 4    | 0127 B A2 4  | spring lock washer Form B A2 M4  |
| 30   | 4    | 0933 A2 4/25 | hexagon screw A2 M04X25  |
| 31   | 2    | 20 5470 1    | spark plug NGK, HS6  |
| 32   | 1    | 34 2213 1    | screw nipple, throttle grip  |

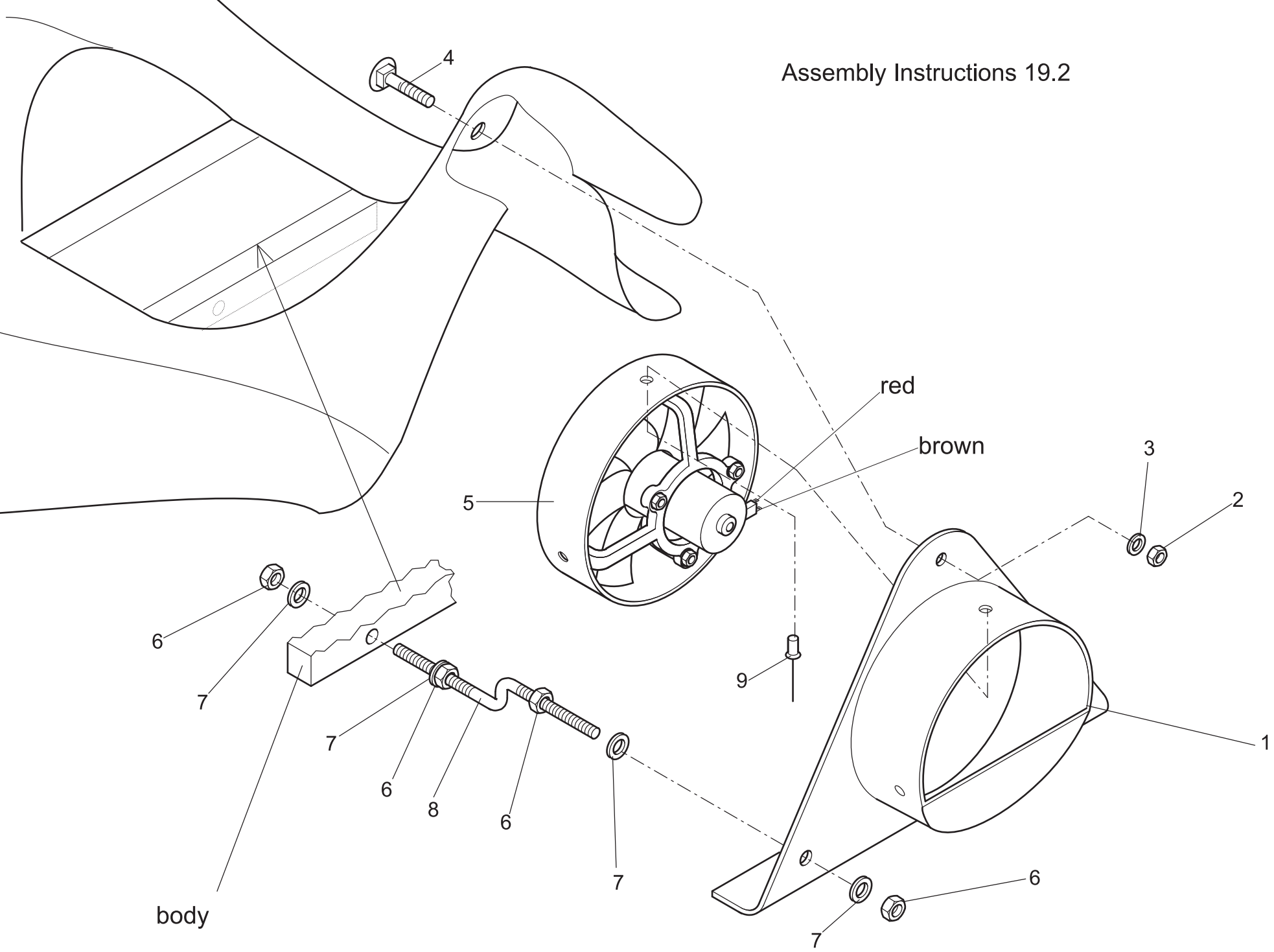
# Assembly Instructions 19.1



## Modell: rewaco FX6 Base Seite: 19,1

| Pos. | Q'ty | Art.-No.            | Article Description   |
|------|------|---------------------|---|
| 1    | 1    | 16 0013 7           | mounting kit, airfilter, HS6 Twin Cam incl. gaskets                     |
| 2    | 1    | 42 1033 2.1         | intake manifold, carburetor Mikuni TM 42-6 HS6                          |
| 3    | 2    | 30 3048 6           | seal aspiration hole 88CI/96CI / HS6/FX6                                |
| 4    | 1    | 16 0013 6           | airfilter element for Twin Cam HS6 K&N                                  |
| 5    | 1    | 42 1033 2.2         | connecting piece, rubber, carburetor Mikuni TM 42-6 HS6                 |
| 6    | 1    | 16 0014 6           | airfilter, complete (Hypercharger with Chrome Butterflies) HS6 Twin Cam |
| 7    | 6    | 0912 UNC 5/16x1-3/4 | hexagon socket screw 12.9 5/16"x1-3/4"                                  |
| 8    | 2    | 0125 A2 8           | washer A2 M8  |
| 9    | 1    | 23 4039.1           | clamping piece, intake pipe lh HS 6 Twin Cam                            |
| 9,1  | 1    | 23 4040.1           | clamping piece, intake pipe rh HS 6 Twin Cam                            |
| 10   | 1    | 16 0013 5           | airfilter housing HS6 Twin Cam (standard)                               |

Assembly Instructions 19.2

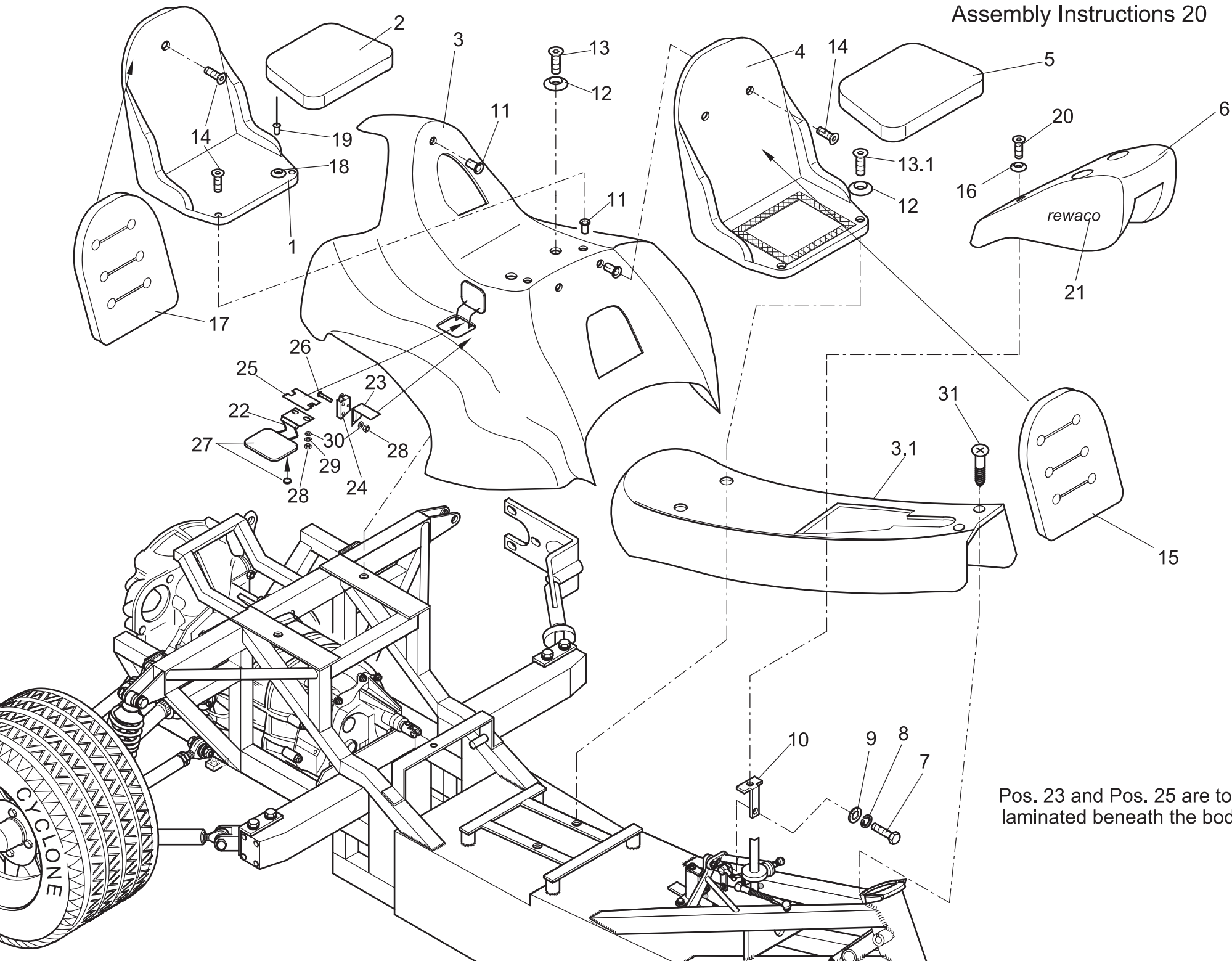




## Modell: rewaco FX6 Base Seite: 19,2

| Pos. | Q'ty | Art.-No.     | Article Description         |
|------|------|--------------|-----------------------------|
| 1    | 1    | 30 1050 1    | housing for electrical fan  |
| 2    | 1    | 0934 A2 6    | hexagon nut A2 M06          |
| 3    | 1    | 9021 A2 6    | washer, body, A2 M6         |
| 4    | 1    | 0603 A2 6/30 | coach bolt A2 M06X30        |
| 5    | 1    | EA30 1016 1  | electro fan (Fiat)          |
| 6    | 8    | 0934 A2 8    | hexagon nut A2 M08          |
| 7    | 8    | 9021 A2 8    | washer, body, A2 M8         |
| 8    | 2    | 10 0123 2    | threaded bolt M8 HS6 (fan)  |
| 9    | 3    | N6300464     | blind rivet Al/St flat 4x12 |

# Assembly Instructions 20



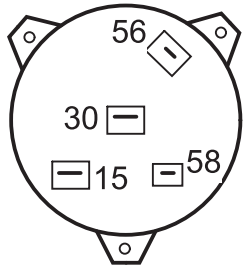
Pos. 23 and Pos. 25 are to be laminated beneath the body1

## Modell: rewaco FX6 Base Seite: 20

| Pos. | Q'ty | Art.-No.      | Article Description  |
|------|------|---------------|--|
| 1    | 1    | 06-00131-C-01 | rear seat FX4/FX6, black, without cushions, since 04/2006 till 3/2008  |
| 2    | 1    | 06-00117-C-01 | seat cushion for rear seat FX4/FX6, black, since 04/2006 till 3/2008   |
| 3    | 1    | 03-00739-F-01 | rear body part FX6 for painting  |
| 3,1  | 1    | 06-00600-F-01 | body, forepart, FX4/5/6, for painting                                  |
| 4    | 1    | 06-00132-C-01 | front seat FX4/FX6, black, without cushions, since 04/2006 till 3/2008 |
| 5    | 1    | 06-00112-C-01 | seat cushion for front seat FX4/FX6, black, since 04/2006 till 3/2008  |
| 6    | 1    | 06-00602-F-01 | dummy tank, Chopper, FX4/5/6 for painting                              |
| 7    | 1    | 0933 A2 8/16  | hexagon screw A2 M08X16  |
| 8    | 1    | 0127 B A2 8   | spring lock washer Form B A2 M8  |
| 9    | 1    | 0125 A2 8     | washer A2 M8   |
| 10   | 1    | 08-00127-F-01 | holder for dummy tank mount, Chopper, FX4/FX6                          |
| 11   | 4    | 09-00591-U-01 | draw in rivet 9x16 aluminium, screw in rivet M6                        |
| 12   | 4    | 07-00033-U-01 | washer for countersunk flathead screws M8                              |
| 13   | 6    | 07-00025-U-01 | countersunk flathead screw A2 M8x30 with allan head                    |
| 14   | 10   | 6912 A4 6/25  | hexagon socket screw (flat head) A2 M06X20                             |
| 15   | 1    | 06-00122-C-01 | back cushion for front seat FX4/FX6, black, since 04/2006 till 3/2008  |
| 16   | 2    | 07-00190-U-01 | washer for hexagon socket countersunk flathead screw M6                |
| 17   | 1    | 06-00127-C-01 | back cushion for back seat FX4/FX6, black, since 04/2006 till 3/2008   |
| 18   | 6    | 0125 A2 8     | washer A2 M8   |
| 19   | 2    | 0933 A2 8/25  | hexagon screw A2 M08X25  |
| 20   | 4    | 9021 A2 8     | washer, body, A2 M8  |
| 21   | 2    | 0933 A2 8/20  | hexagon screw A2 M08X20  |

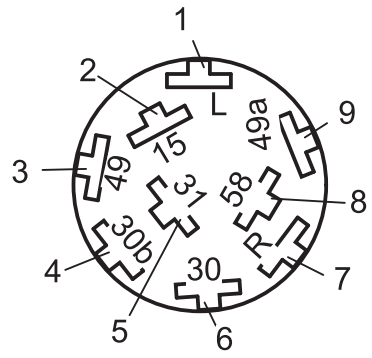
# Assembly Instructions 20.1

1 ignition switch



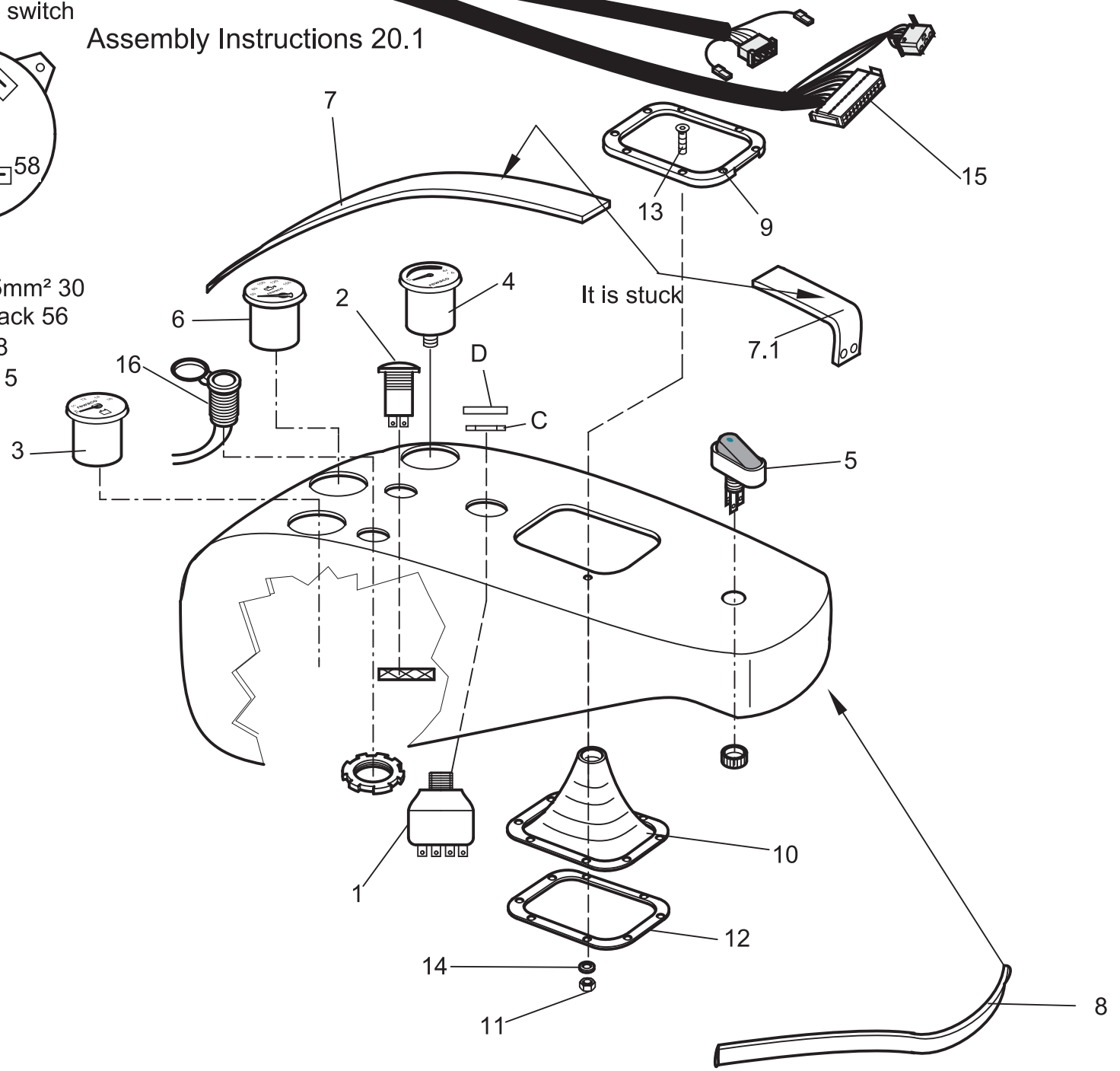
switch, hazard-warning signal flasher

2



- 1 = red 1,5mm<sup>2</sup> 30
- 2 = lilac-black 56
- 3 = grey 58
- 4 = black 15

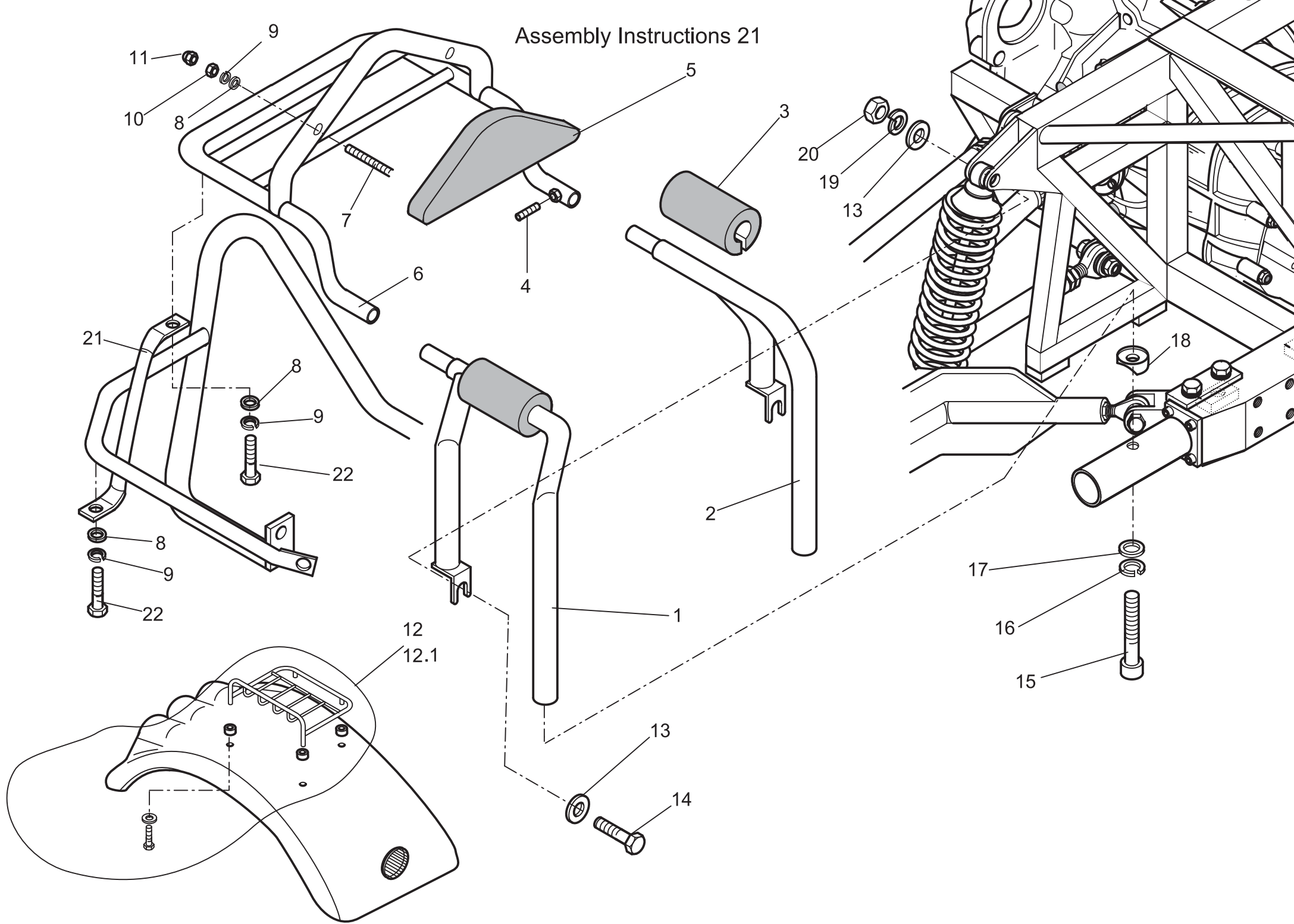
- 1 = white-black
- 2 = black
- 3 = blue-red gebrückt von 4
- 4 = blue-red
- 5 = brown
- 6 = red
- 7 = black-green
- 8 = grey-red
- 9 = red-yellow



## Modell: rewaco FX6 Base Seite: 20,1

| Pos. | Q'ty | Art.-No.      | Article Description   |
|------|------|---------------|---|
| 1    | 1    | 18 0010 2     | ignition switch   |
| 2    | 1    | 18 0020 2     | switch, hazard-warning signal flasher   |
| 3    | 1    | 18 0079 1     | voltage gauge, ROAD, Ford + VW  |
| 4    | 1    | 18 0075 1     | fuel gauge, ROAD, VW, 52mm/78Ohm/200  |
| 5    | 1    | 18 0023 1.1   | switch, rear fog light RF1 and HS/FX since 04/2006, yellow control light              |
| 6    | 1    | 22 1075 1     | oil temperature gauge ROAD 150  |
| 7    | 1    | 06-00757-F-01 | upper leather strap, dummy tank, FX   |
| 7,1  | 1    | 06-00758-F-01 | lower leather strap, dummy tank, FX   |
| 8    | 1    | 20 0211 2     | edge protection with rubber seal, 1.4m for dummy tank HS/FX                           |
| 9    | 1    | 02-00192-O-01 | gear cover/ frame of slotted piece, gear shift, polished                              |
| 10   | 1    | 06-00531-F-01 | rubber bellow, gearshift lever, FX  |
| 11   | 8    | 0934 A2 4     | hexagon nut A2 M04  |
| 12   | 1    | 06-00532-D-01 | frame for rubber bellow, gearshift lever  |
| 13   | 8    | 7991 A2 4/20  | hexagon socket countersunk flathead screw A2 M04X20                                   |
| 14   | 8    | 0125 A2 4     | washer A2 M4  |
| 15   | 1    | 01-00144-U-01 | wiring harness, dummy tank, RF1 and HS4-HS5-HS6 since 04/2006                         |
| 16   | 1    | 01-00212-01   | lighter socket, dia. 36mm, length 55mm, with waterprotection cap, 80cm wire + 8A fuse |

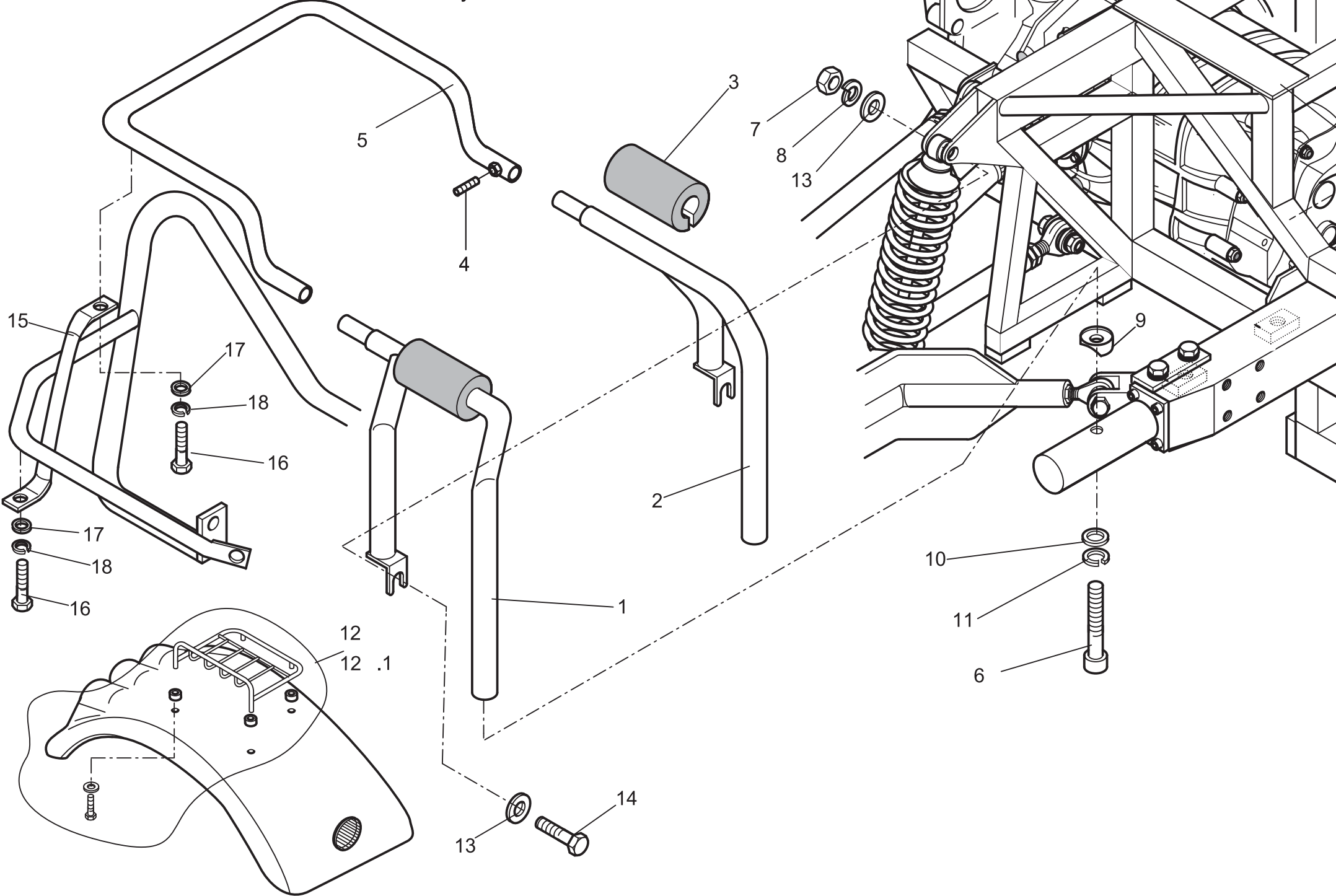
# Assembly Instructions 21



## Modell: rewaco FX6 Base Seite: 21

| Pos. | Q'ty | Art.-No.       | Article Description  |
|------|------|----------------|--|
| 1    | 1    | 06-00540-F-01  | rail FX4/FX6, stainless steel, rh, since 01/2007   |
| 2    | 1    | 06-00541-F-01  | rail FX4/FX6, stainless steel, lh, since 01/2007   |
| 3    | 2    | 05-00188-E-01  | arm pad, rail FX4-6, black   |
| 4    | 2    | 0913 A2 8/8    | hexagon socket screw A2 M08X08 (slug)  |
| 5    | 1    | 20 1832 0      | neck cushion, Sissy Bar HS4-HS6, black   |
| 6    | 1    | 05-00190-F-01  | luggage rack for leather luggage roll, FX6, with Sissy Bar, stainless steel, since 01/2007 |
| 7    | 2    | 0976 ZN 8/80   | threaded bolt zinc plated M08X80   |
| 8    | 2    | 0125 A2 8      | washer A2 M8   |
| 9    | 2    | 0127 B A2 8    | spring lock washer Form B A2 M8  |
| 10   | 2    | 0934 A2 8      | hexagon nut A2 M08   |
| 11   | 2    | 1587 A2 8      | acorn nut A2 M08   |
| 12   | 1    | 32 3052 1      | luggage rack, rear fenders, small (2 pcs.)   |
| 12,1 | 1    | 19 0007 0      | luggage rack, for mounting on mudguard, big (2 pcs.)                                       |
| 13   | 4    | KOS-0125 A2 12 | washer A2 M12  |
| 14   | 1    | 0933 ZN 12/60  | hexagon screw zinc plated M12X60   |
| 15   | 2    | 0912 A2 10/90  | hexagon socket screw A2 M10X90   |
| 16   | 2    | 0127 B A2 10   | spring lock washer Form B A2 M10   |
| 17   | 2    | 0125 A2 10     | washer A2 M10  |
| 18   | 2    | 38 0030 2      | spacer, rail HS4 and FX4, at SIPS  |
| 19   | 4    | 0127 B A2 12   | spring lock washer Form B A2 M12   |
| 20   | 2    | 0934 A2 12     | hexagon nut A2 M12   |

Assembly Instructions 22

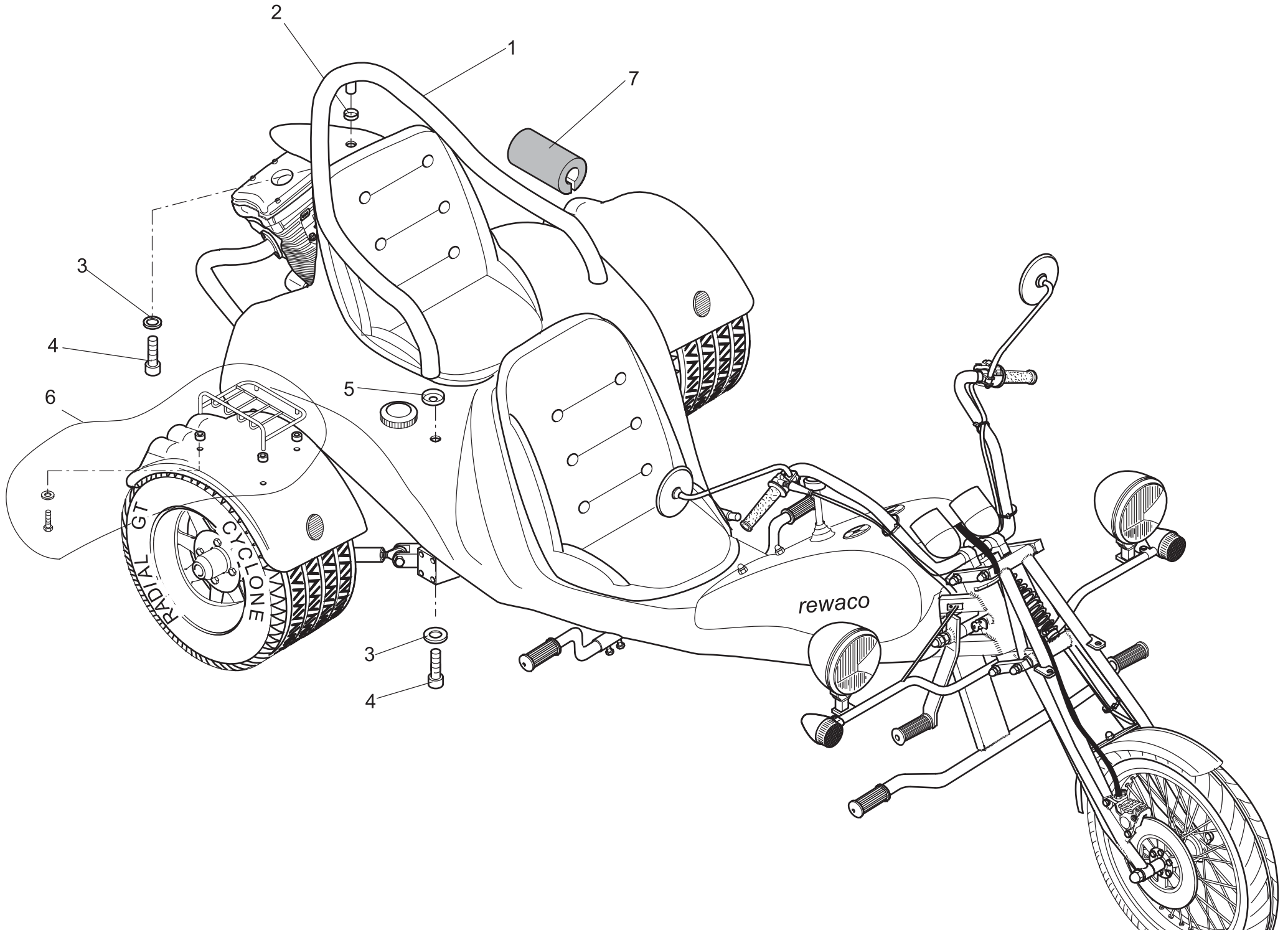




## Modell: rewaco FX6 Base Seite: 22

| Pos. | Q'ty | Art.-No.      | Article Description   |
|------|------|---------------|---|
| 1    | 1    | 05-00177-F-01 | rail FX4/FX6, rh, stainless steel, since 01/2007              |
| 2    | 1    | 05-00176-F-01 | rail FX4/FX6, lh, stainless steel, since 01/2007              |
| 3    | 2    | 05-00188-E-01 | arm pad, rail FX4-6, black                                    |
| 4    | 2    | 0913 A2 8/8   | hexagon socket screw A2 M08X08 (slug)                         |
| 5    | 1    | 05-00179-F-01 | luggage rack for top case FX4, stainless steel, since 01/2007 |
| 6    | 2    | 0912 A2 10/90 | hexagon socket screw A2 M10X90                                |
| 7    | 2    | 0934 A2 12    | hexagon nut A2 M12  |
| 8    | 4    | 0127 B A2 12  | spring lock washer Form B A2 M12                              |
| 9    | 1    | 38 0030 2     | spacer, rail HS4 and FX4, at SIPS                             |
| 10   | 2    | 0125 A2 10    | washer A2 M10   |
| 11   | 2    | 0127 B A2 10  | spring lock washer Form B A2 M10                              |
| 12   | 1    | 32 3052 1     | luggage rack, rear fenders, small (2 pcs.)                    |
| 12,1 | 1    | 19 0007 0     | luggage rack, for mounting on mudguard, big (2 pcs.)          |
| 13   | 4    | 0125 A2 12    | washer A2 M12   |
| 14   | 1    | 0933 ZN 12/60 | hexagon screw zinc plated M12X60                              |

# Assembly Instructions 23



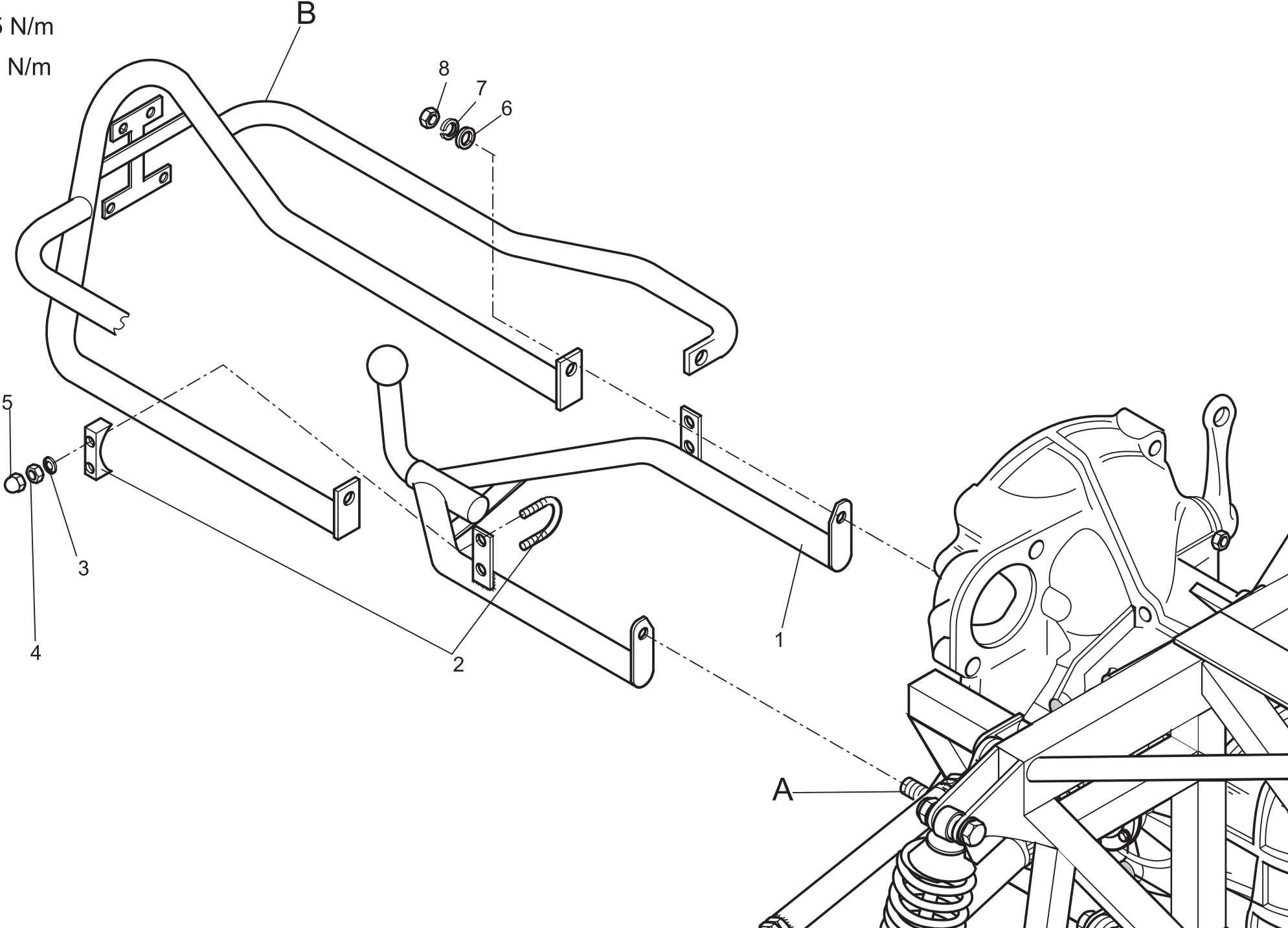
## Modell: rewaco FX6 Base Seite: 23

| Pos. | Q'ty | Art.-No.      | Article Description                                  |
|------|------|---------------|--|
| 1    | 1    | 20 2022 1     | rail HS6, stainless steel                            |
| 2    | 1    | 10 1123 2     | rubber disc, small (rail HS6)                        |
| 3    | 3    | 0125 A2 10    | washer A2 M10  |
| 4    | 3    | 0912 A2 10/25 | hexagon socket screw A2 M10X25                       |
| 5    | 2    | 10 0121 3     | rubber disc, big (rail HS6)                          |
| 6    | 2    | 19 0007 0     | luggage rack, for mounting on mudguard, big (2 pcs.) |
| 7    | 2    | 05-00188-E-01 | arm pad, rail FX4-6, black                           |

Torque =

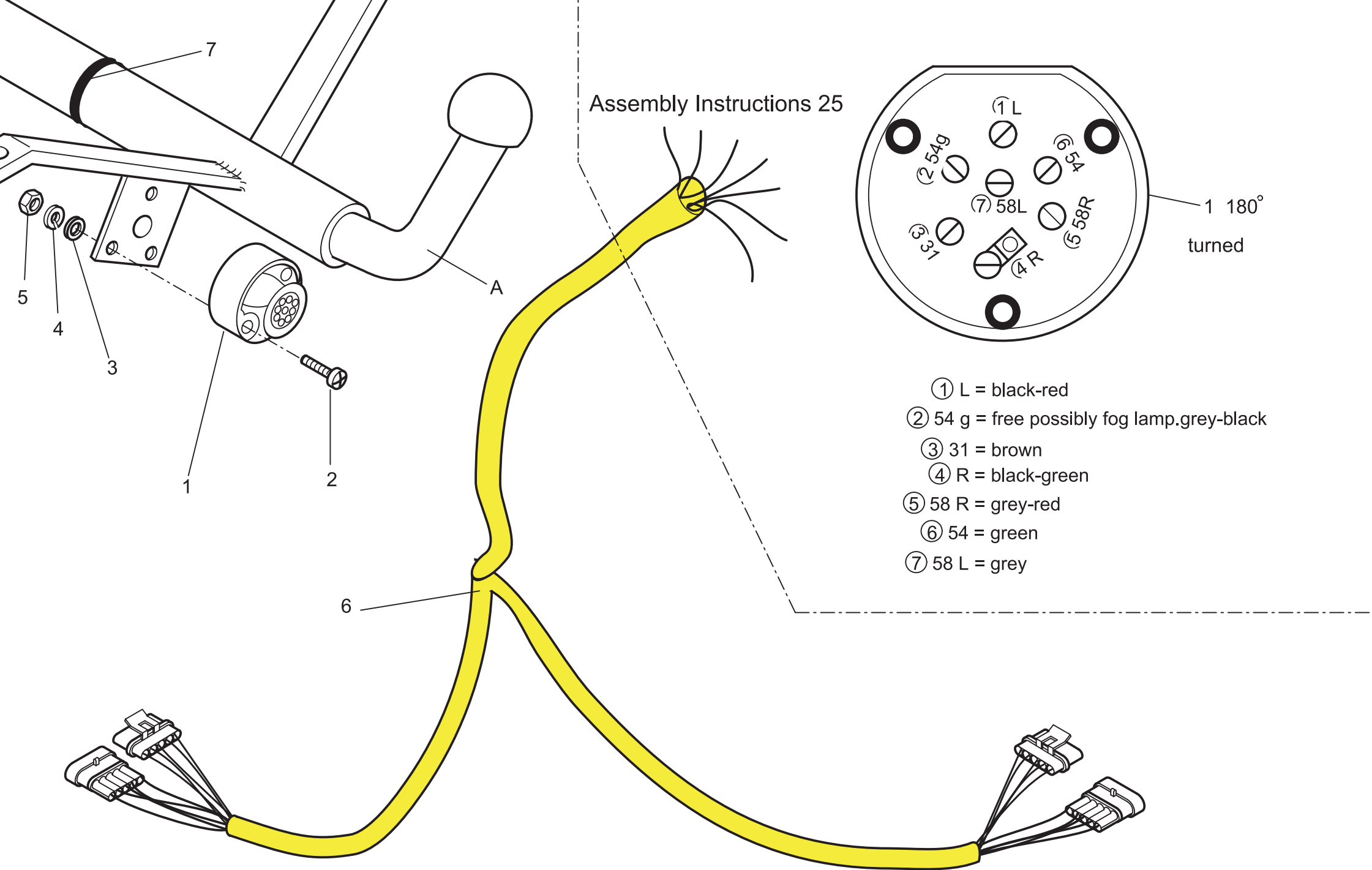
Pos. 4 = 15 N/m

Pos. 8 = 28 N/m



## Modell: rewaco FX6 Base Seite: 24

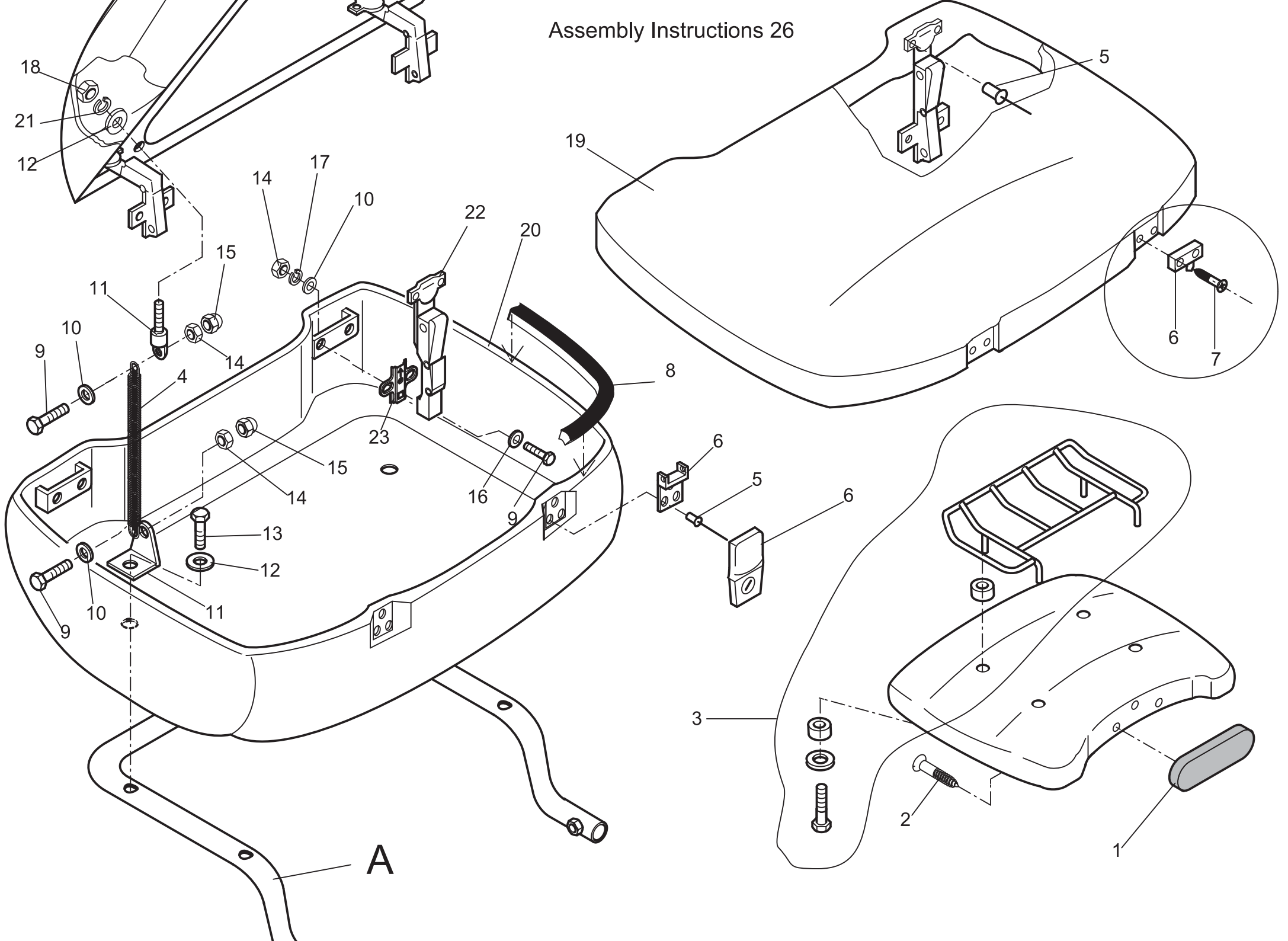
| Pos. | Q'ty | Art.-No.        | Article Description                               |
|------|------|-----------------|---|
| 1    | 1    | 34 0056 0       | trailer hitch HS4-5 and FX4 since 01/2001, 400 kg |
| 2    | 2    | 19 0090 2       | clip 42 mm  |
| 3    | 4    | 0125 A2 8       | washer A2 M8                                      |
| 4    | 4    | 0934 A2 8       | hexagon nut A2 M08                                |
| 5    | 4    | 1587 A2 8       | acorn nut A2 M08                                  |
| 6    | 2    | 7349 ZN 10/25/4 | washer zinc M10X25X4                              |
| 7    | 2    | 0127 A ZN 10    | spring lock washer A zinc plated M10              |
| 8    | 2    | 0934 ZN 10      | hexagon nut zinc plated M10                       |



## Modell: rewaco FX6 Base Seite: 25

| Pos. | Q'ty | Art.-No.      | Article Description                                  |
|------|------|---------------|--|
| 1    | 1    | 18 0400 1     | power socket, 7-pole                                 |
| 2    | 3    | 7985 A2 5/35  | fillister head screw, cross slot A2 M05X35           |
| 3    | 3    | 0125 A2 5     | washer A2 M5   |
| 4    | 3    | 0127 B A2 5   | spring lock washer Form B A2 M5                      |
| 5    | 3    | 0934 A2 5     | hexagon nut A2 M05                                   |
| 6    | 1    | 01-00149-U-01 | wiring harness trailer hitch RF and HS since 04/2006 |
| 7    | 5    | N1304850 S    | cable strap 4.8X200 mm                               |

# Assembly Instructions 26

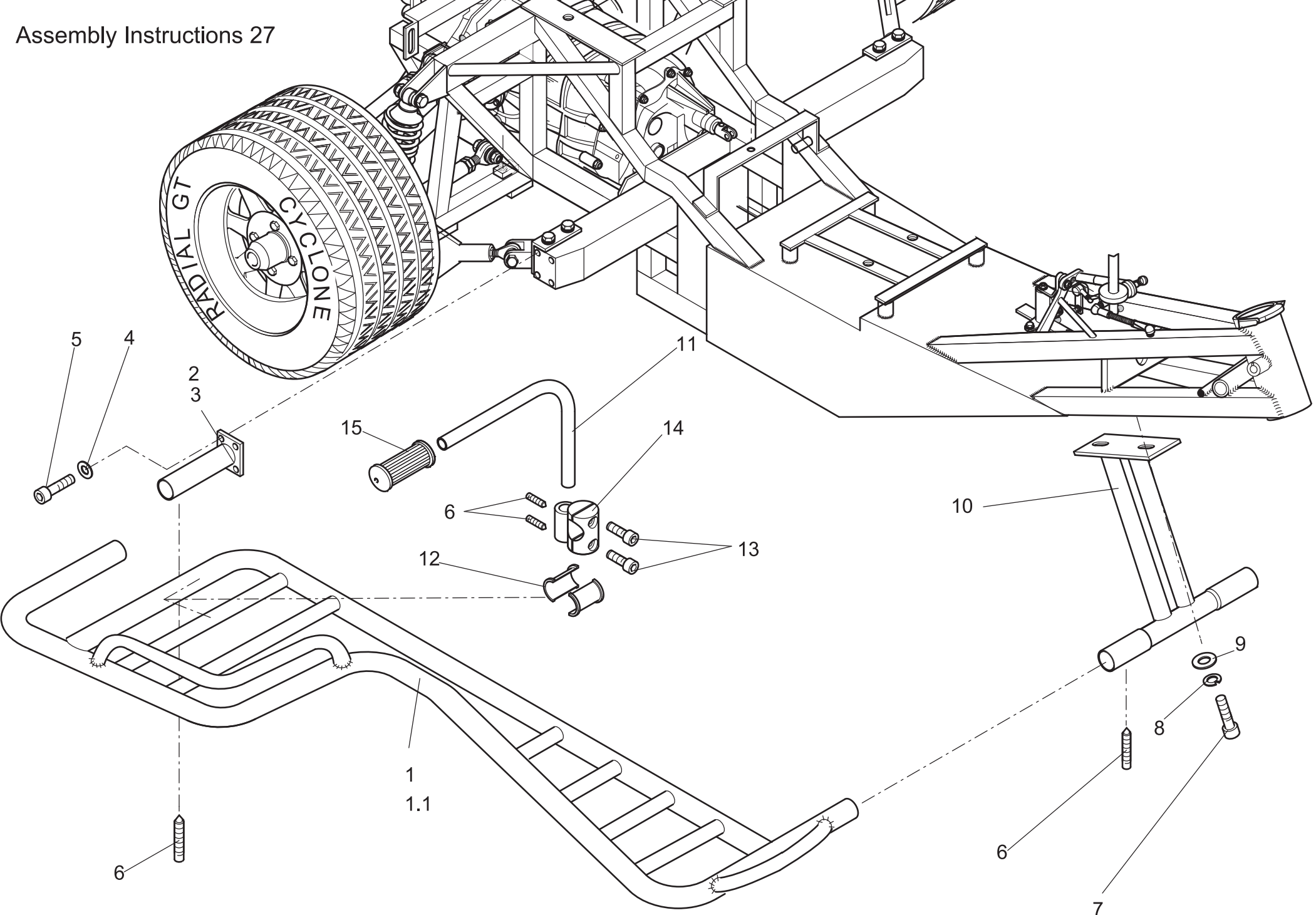




## Modell: rewaco FX6 Base Seite: 26

| Pos. | Q'ty | Art.-No.      | Article Description   |
|------|------|---------------|---|
| 1    | 1    | 20 1834 0     | neck cushion, top case assembly HS4/FX4, black                            |
| 2    | 3    | N4,2X25VA     | Zebra-Pias-phillips panhead screw 4.2X25<br>stainless steel, self tapping |
| 3    | 1    | 18 0233 5     | luggage rack for HS/FX top case   |
| 4    | 1    | 33 4040 2     | spring, top case, with pull rope  |
| 5    | 4    | 915 904 819   | Zebra-blind rivet alu/black, big set header 4.8x25                        |
| 6    | 2    | 10 0202 1     | lock, top case HS4/HS6 FX4/FX6 since 04/2005<br>and glove compartment RF1 |
| 7    | 4    | 7991 A2 3/30  | hexagon socket countersunk flathead screw A2<br>M04X30                    |
| 8    | 1    | 19 0131 2     | edge protection with rubber seal, top case HS/FX<br>.Tank HS/FX           |
| 9    | 6    | 0933 A2 5/16  | hexagon screw A2 M05X16   |
| 10   | 6    | 0125 A2 5     | washer A2 M5  |
| 11   | 1    | 33 3040 2     | mount (set), spring, top case HS4/HS6 FX4/FX6                             |
| 12   | 5    | 9021 A2 6     | washer, body, A2 M6   |
| 13   | 4    | 0933 A2 6/20  | hexagon screw A2 M06X20   |
| 14   | 6    | 0934 A2 5     | hexagon nut A2 M05  |
| 15   | 2    | 1587 A2 5     | acorn nut A2 M05  |
| 16   | 4    | 9021 A2 5     | washer, body, A2 M5   |
| 17   | 4    | 0127 B A2 5   | spring lock washer Form B A2 M5   |
| 18   | 1    | 0934 A2 6     | hexagon nut A2 M06  |
| 19   | 1    | 19 1111 0     | lid, top case HS4/HS6 / FX4/FX6   |
| 20   | 1    | 19 1112 0     | lower shell, top case HS4/FX6   |
| 21   | 1    | 0127 B A2 6   | spring lock washer Form B A2 M6   |
| 22   | 2    | 09-00785-A-01 | linchpin, top case lid HS4 big  |
| 23   | 2    | 09-00786-A-01 | linchpin, top case lid HS4 big  |

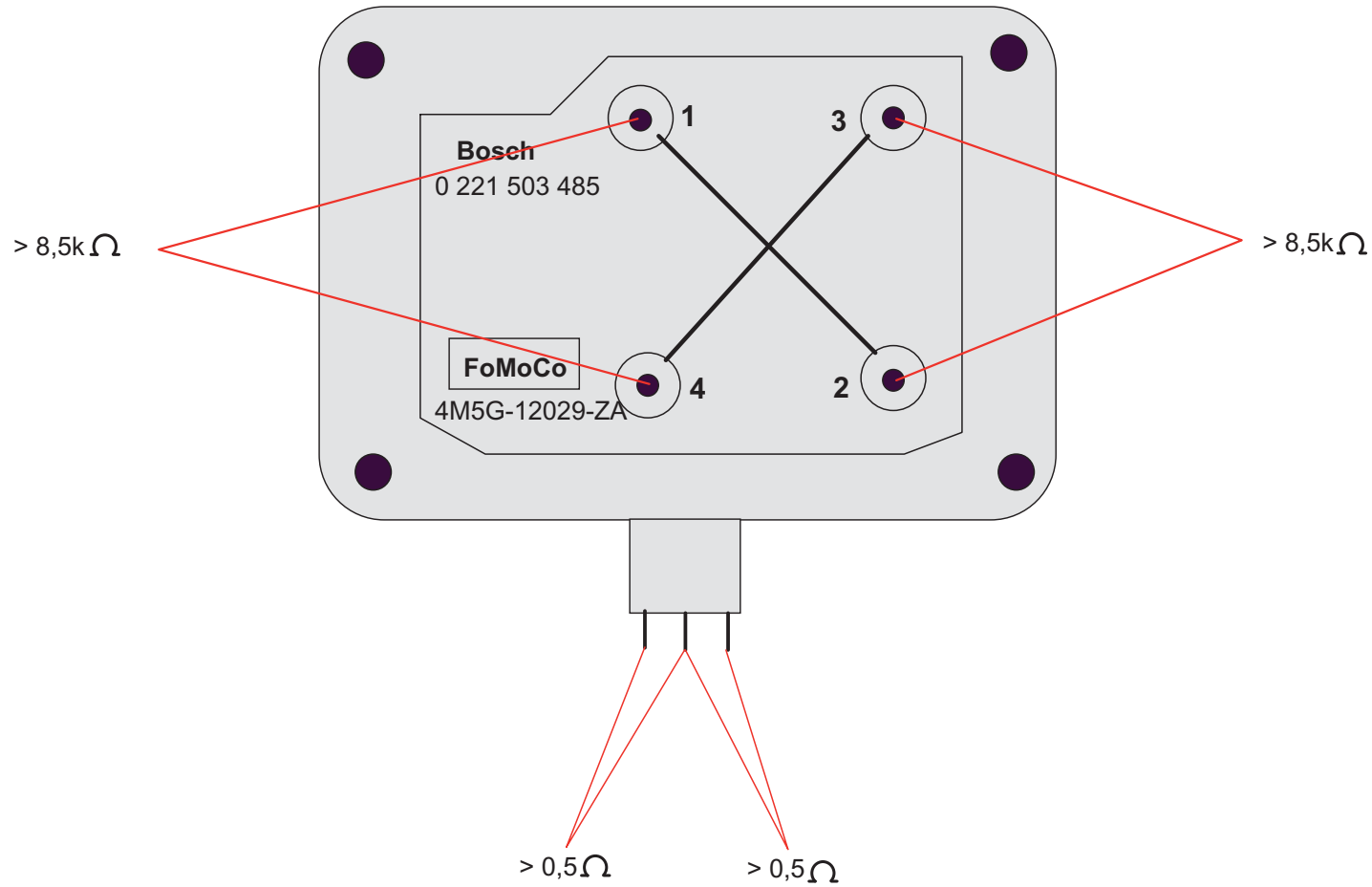
Assembly Instructions 27



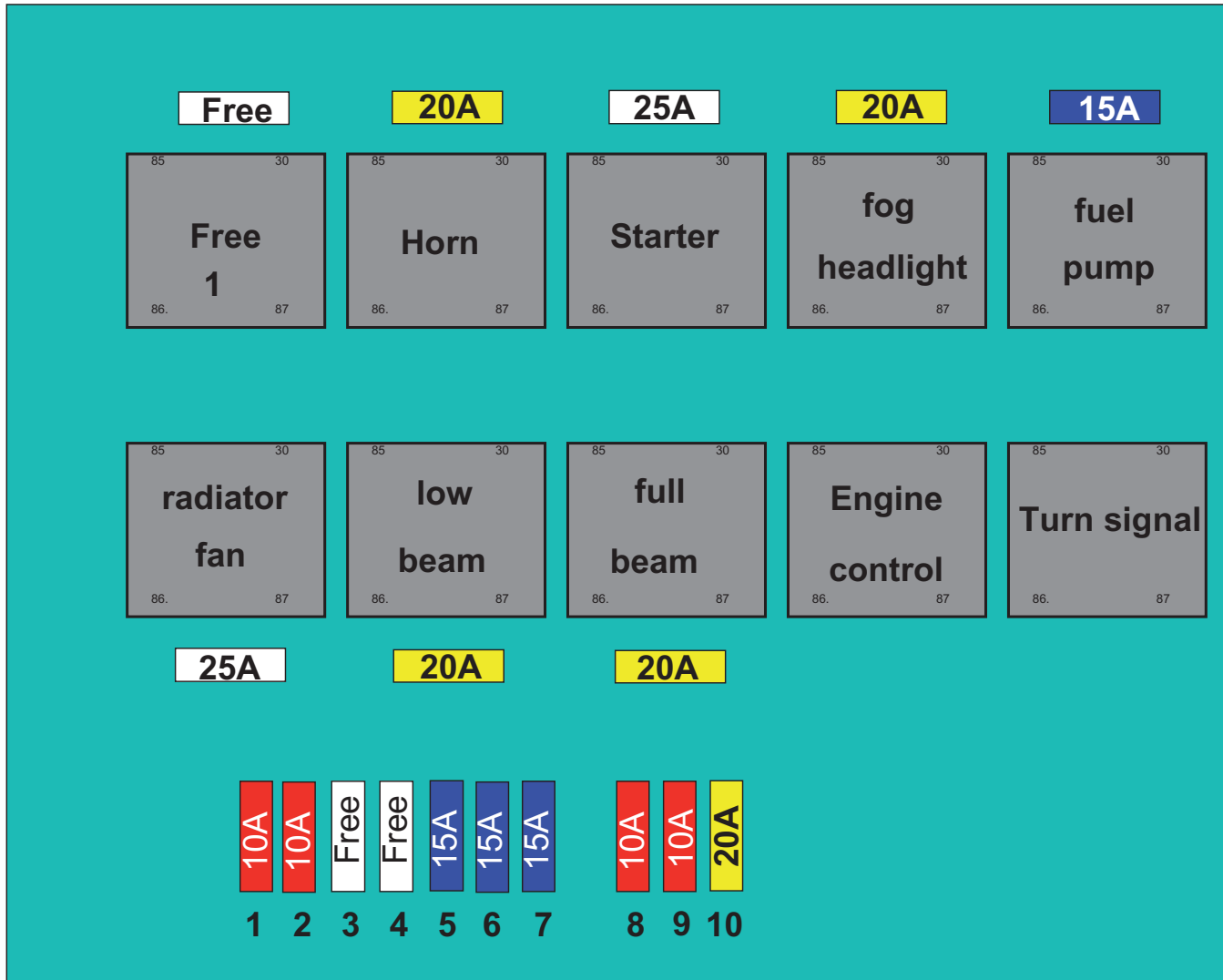
## Modell: rewaco FX6 Base Seite: 27

| Pos. | Q'ty | Art.-No.      | Article Description                         |
|------|------|---------------|---|
| 1    | 1    | 18 0016 1     | SIPS, lh, stainless steel                   |
| 1,1  | 1    | 18 0025 1     | SIPS, rh, stainless steel                   |
| 2    | 1    | 08-00564-F-01 | mount, SIPS, FX, rh                         |
| 3    | 1    | 08-00565-F-01 | mount, SIPS, FX, lh                         |
| 4    | 8    | 0125 A2 10    | washer A2 M10                               |
| 5    | 8    | 0912 A2 10/20 | hexagon socket screw A2 M10X20              |
| 6    | 4    | 0913 A2 8/8   | hexagon socket screw A2 M08X08 (slug)       |
| 7    | 2    | 0912 A2 10/25 | hexagon socket screw A2 M10X25              |
| 8    | 2    | 0127 B A2 10  | spring lock washer Form B A2 M10            |
| 9    | 2    | 9021 A2 10    | washer, body, A2 M10                        |
| 10   | 1    | 09 0025 0     | footrest bracket, front for SIPS HS/FX      |
| 11   | 2    | 09 0081 2     | footrests, rear FX and RF (set), lh + rh    |
| 12   | 1    | 06-00530-U-01 | counterpart for footrest fixation FX and RF |
| 13   | 4    | 0912 A2 10/30 | hexagon socket screw A2 M10X30              |
| 14   | 2    | 09 0082 3     | clamping piece for rear footrest, FX and RF |
| 15   | 1    | 22 1051 1     | pad, pedal, chrome plated (pair)            |

# examine ignition- coil



|                        |                 |
|------------------------|-----------------|
| examine ignition- coil | since May. 2006 |
| Date 14.08.2006        |                 |

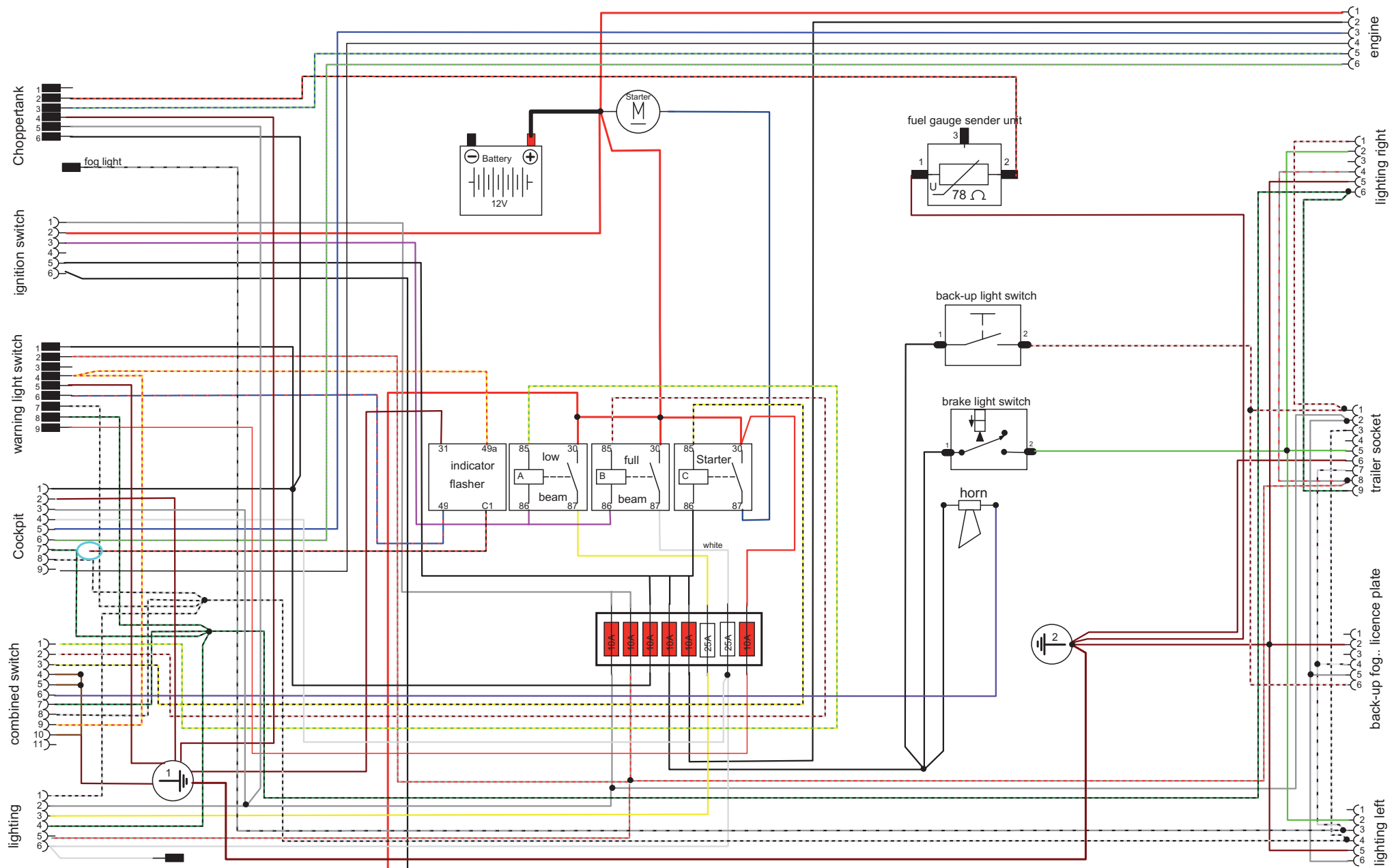


- 1) Kl.30 Engine control unit
- 2) Warning light switch
- 3) Kl. 30 Free
- 4) Kl. 15 Free
- 5) Back-up light
- 6) Instruments, Choppertank
- 7) Stop light
- 8) Parking light right, Fog tail light
- 9) Parking light left
- 10) Engine control unit

relay + fuse chart Rewaco FX

Date 30.08.2005

since May. 06

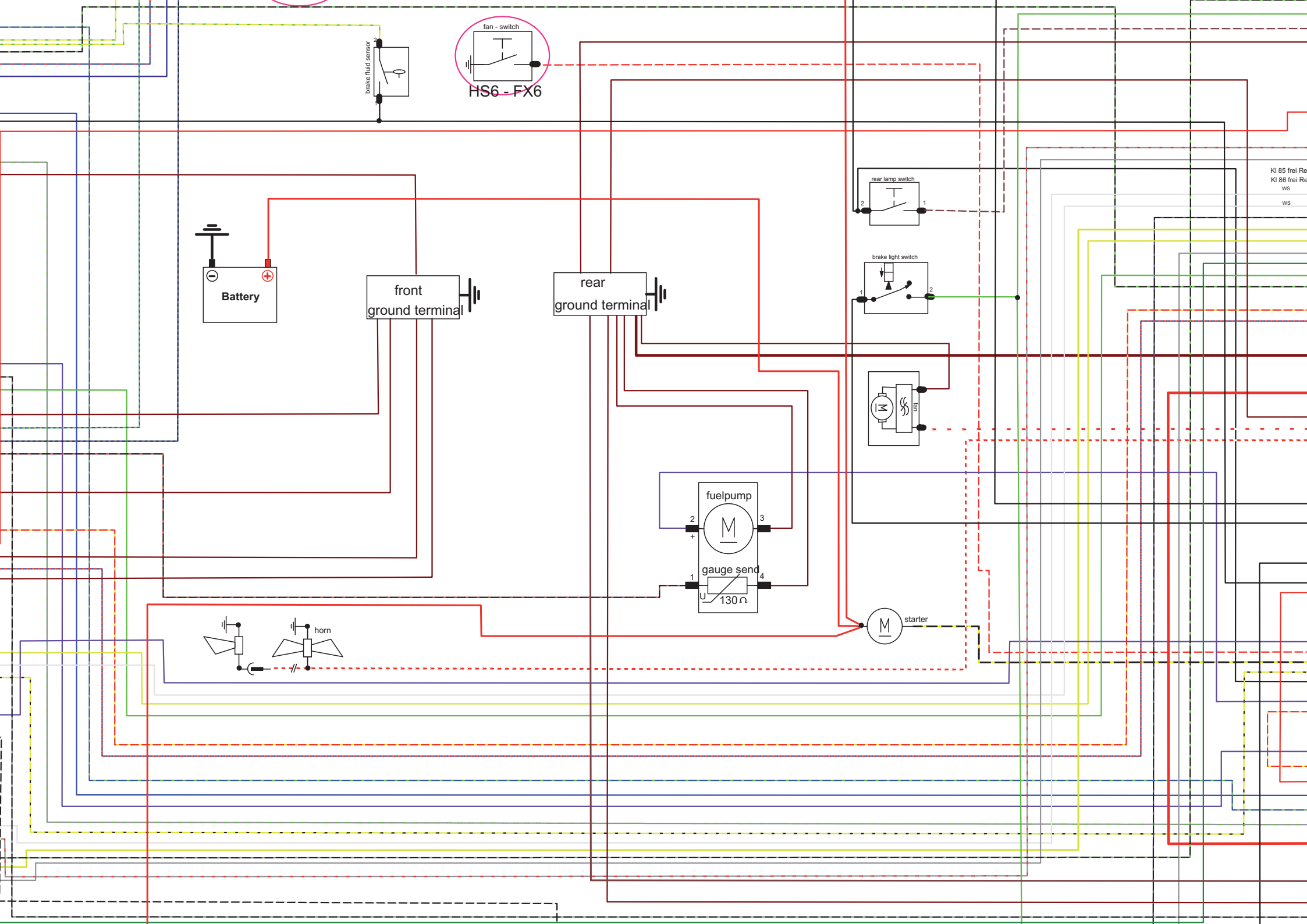


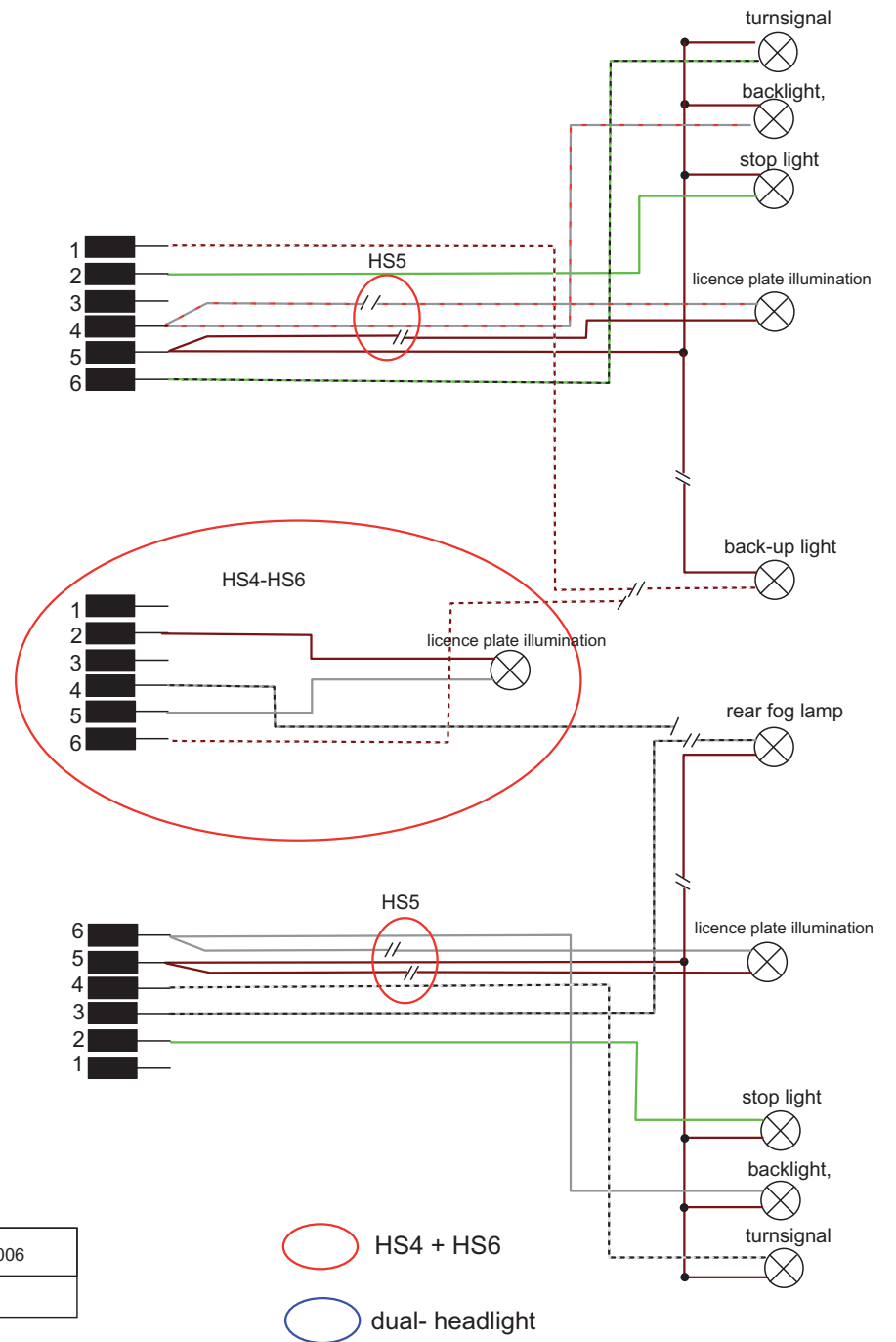
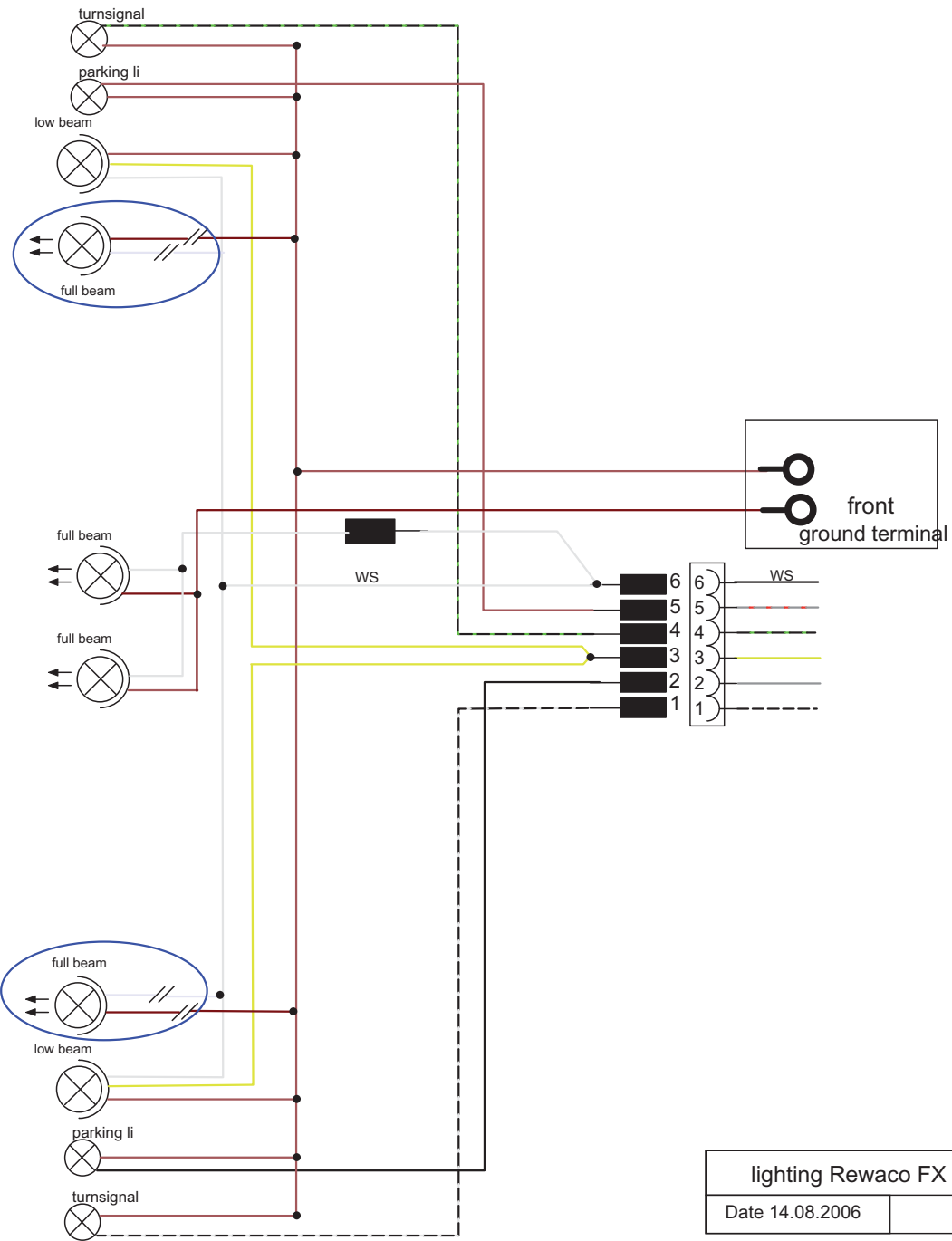
KI. 30  
KI. 15  
not fused circuit

- 1) front earth terminal
- 2) earth terminal gearbox

On use a ROAD Cockpit disconnecting pin 7+8 and connect a black/red cable with pin 8 if necessary exchange the relay

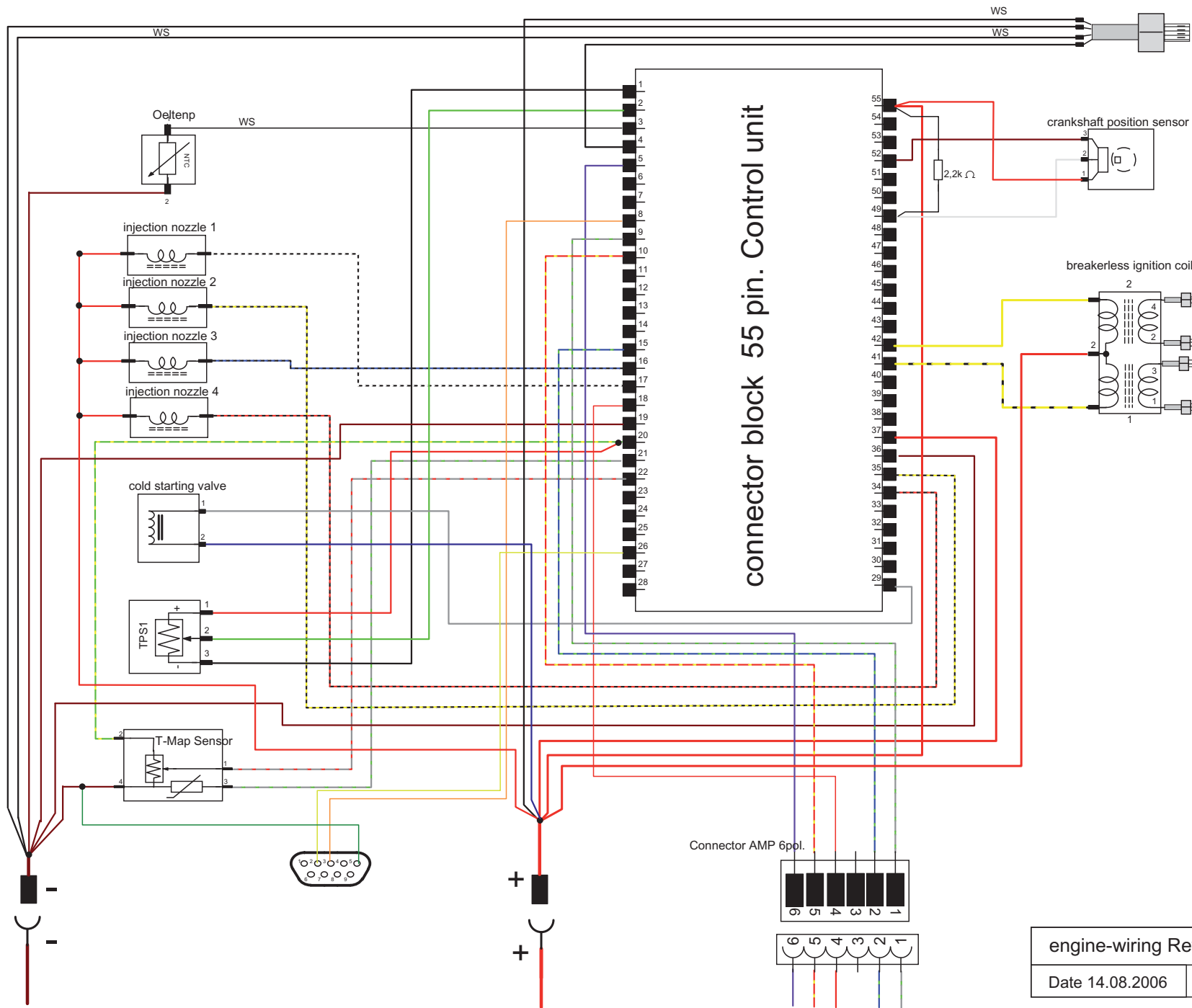
|  |  |
|--|--|
| main wire bundle Rewaco HS4-HS6 since 2000 |  |
| Date 14.08.2006                            |  |



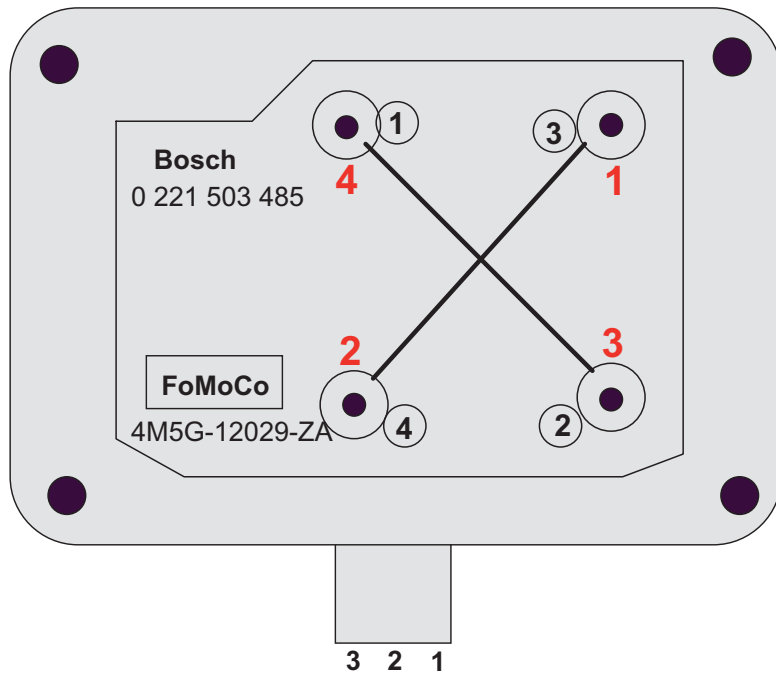


|                    |  |            |
|--------------------|--|------------|
| lighting Rewaco FX |  | up to 2006 |
| Date 14.08.2006    |  |            |

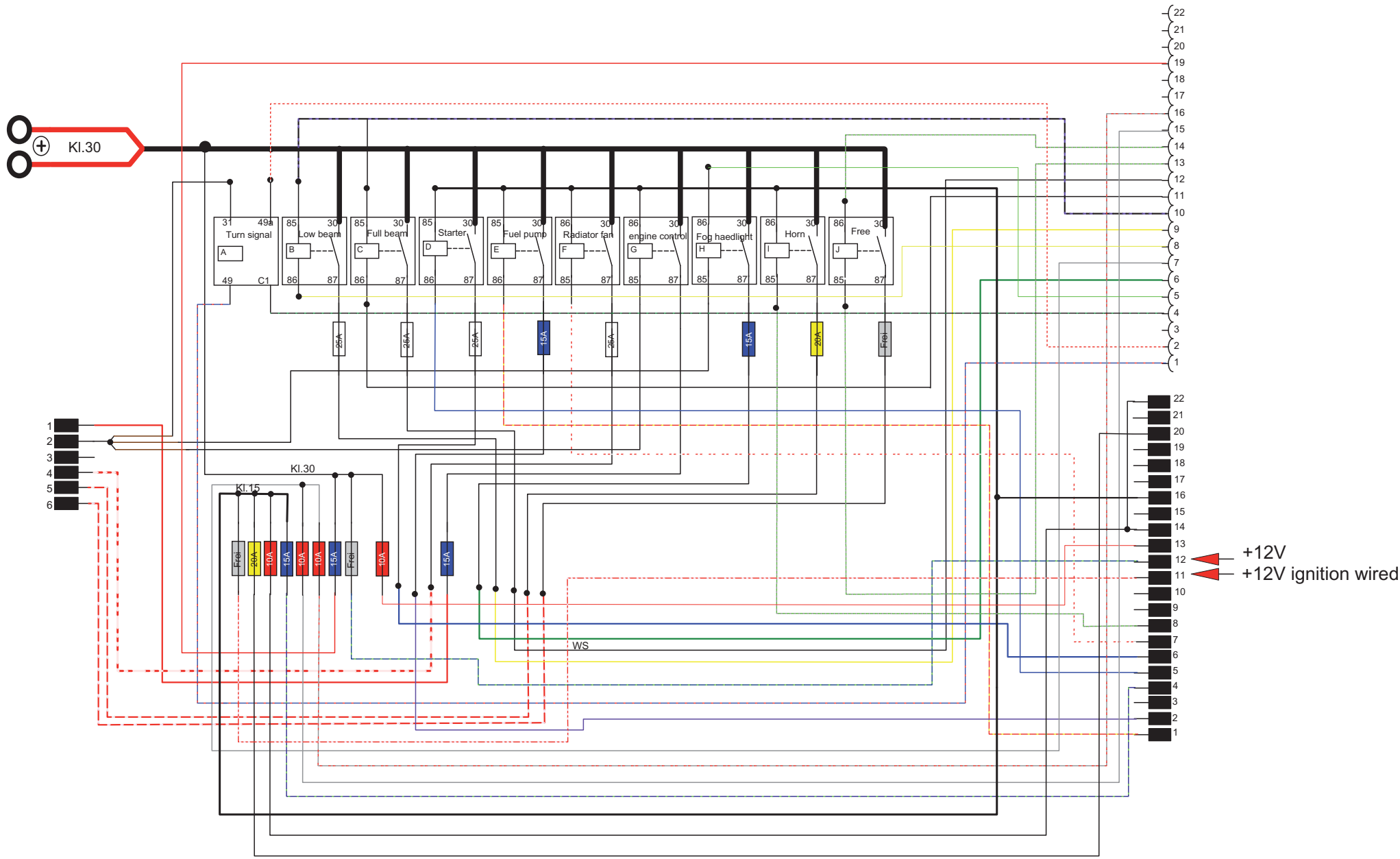




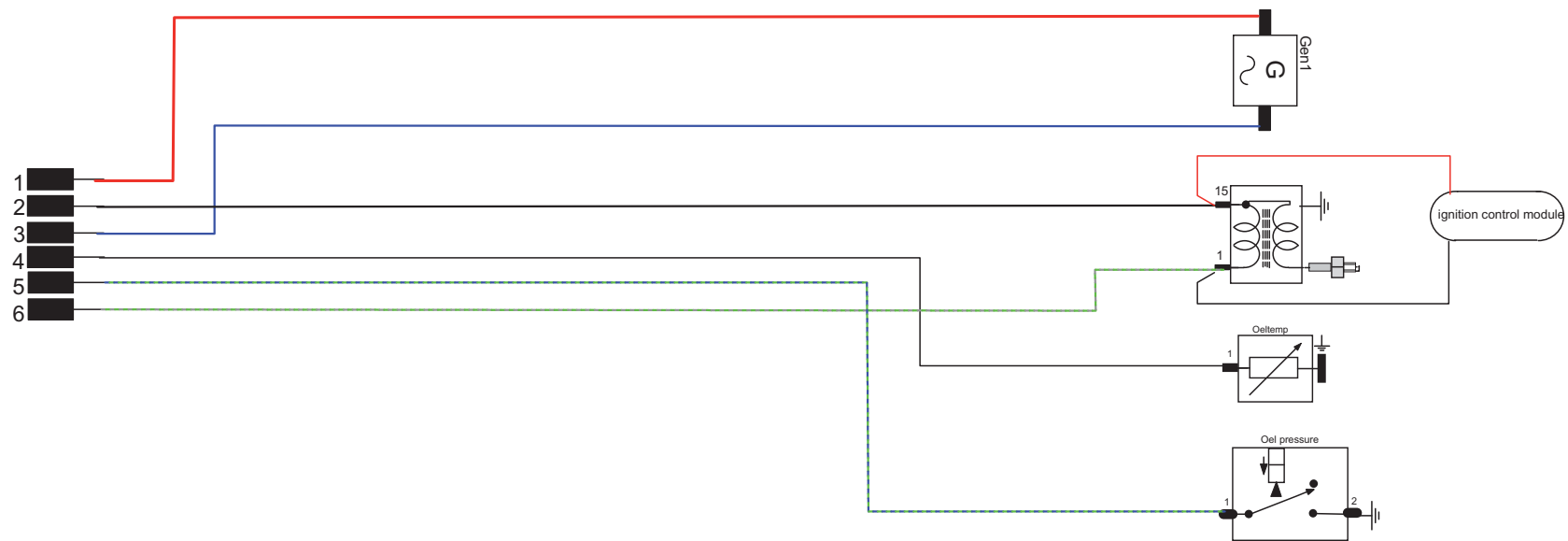
|                         |               |
|-------------------------|---------------|
| engine-wiring Rewaco FX | since May. 06 |
| Date 14.08.2006         |               |



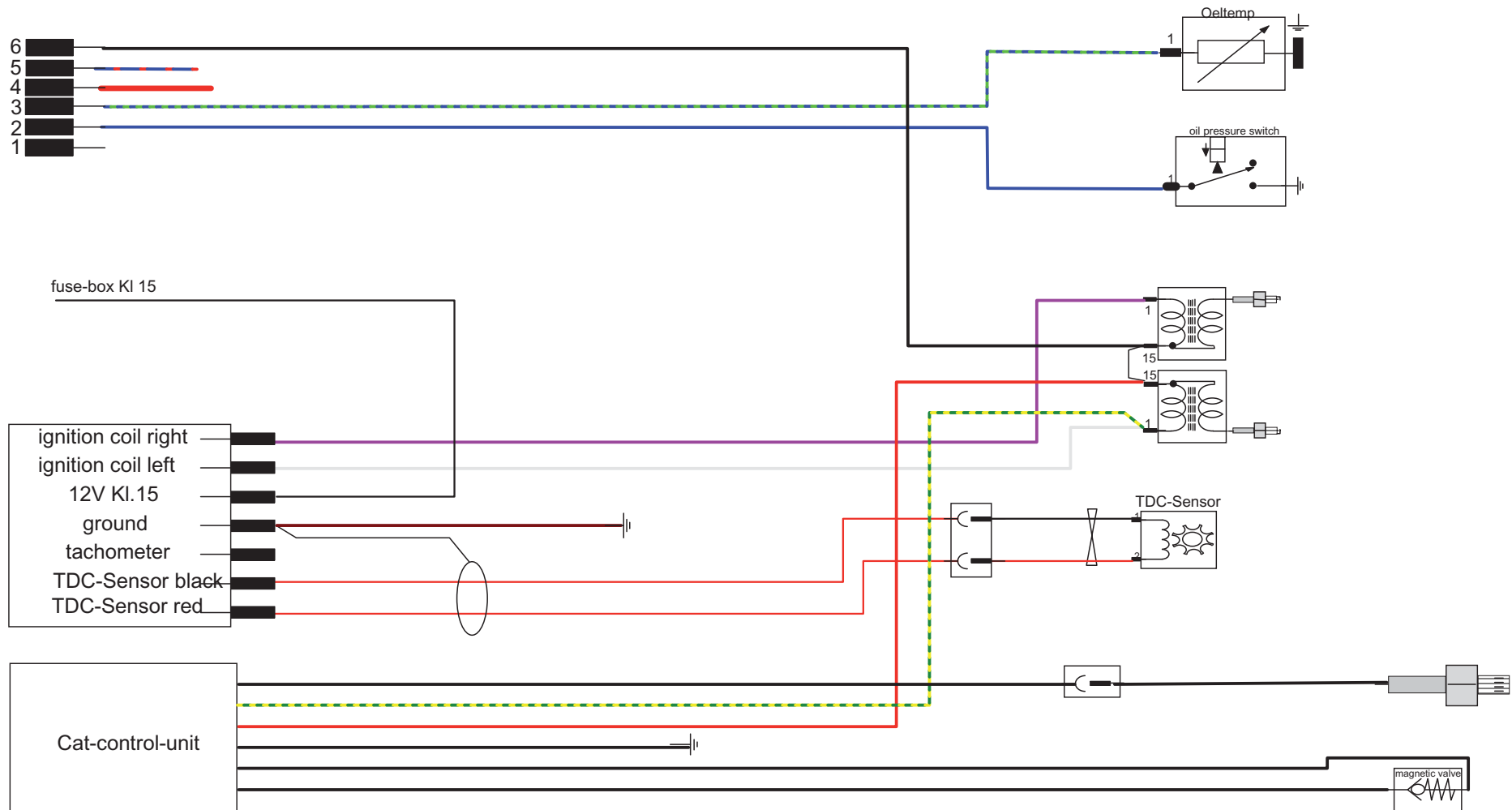
|                       |                 |
|-----------------------|-----------------|
| ignition-coil FX4-FX5 | since May. 2006 |
| Date 14.08.2006       |                 |



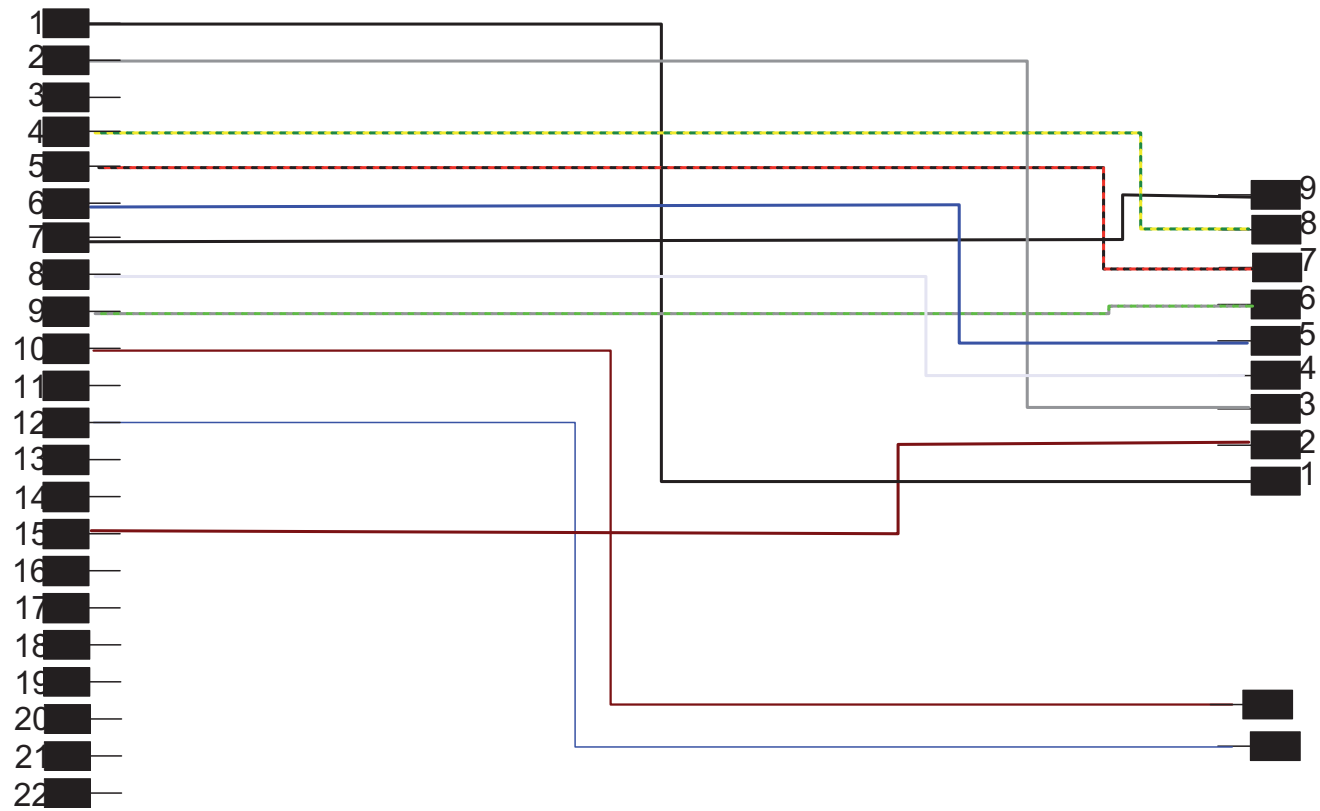
fuse box Rewaco FX  
 Date 14.08.2006 since May. 06

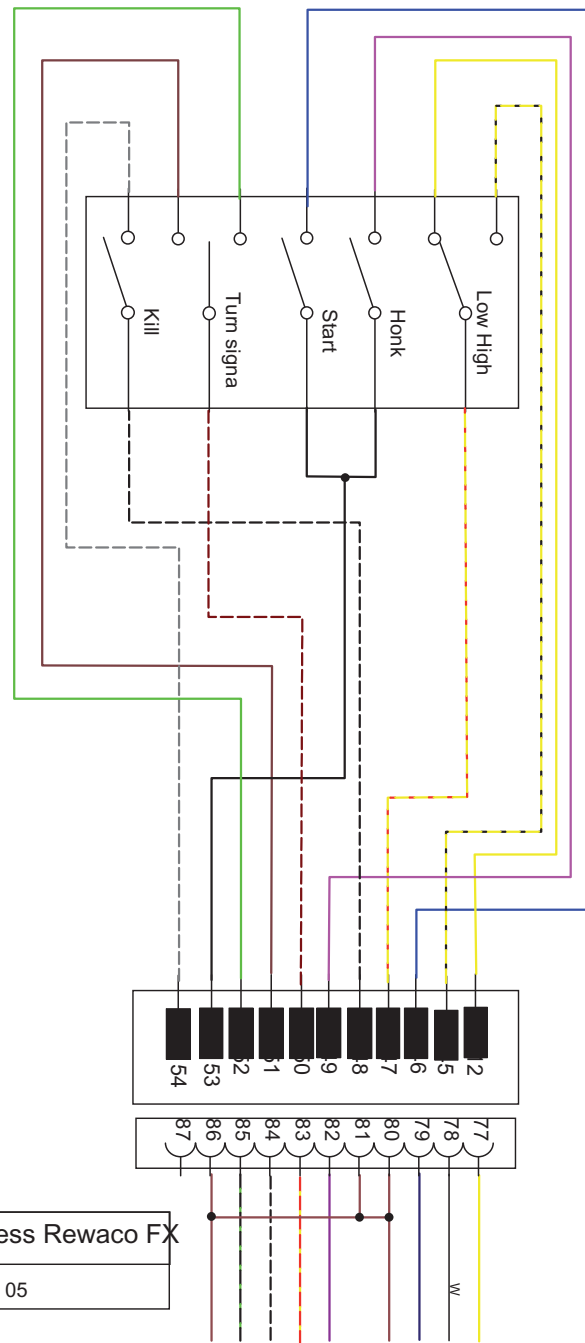
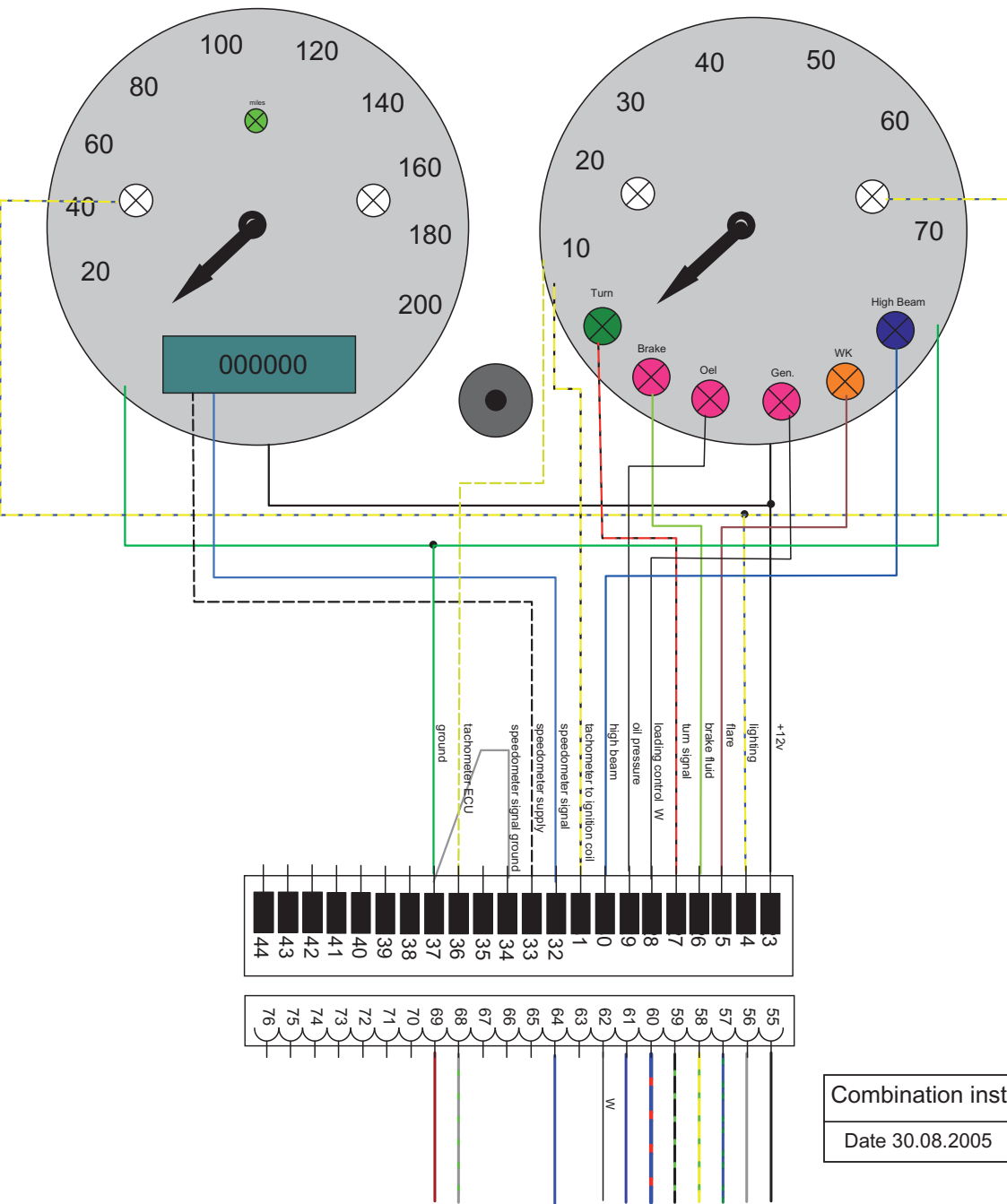


|                     |         |
|---------------------|---------|
| engine Rewaco HS4-5 | ab 2000 |
| Datum 07.02.2006    |         |



|                          |               |
|--------------------------|---------------|
| engine-wiring Rewaco FX6 | since May. 06 |
| Date 14.08.2006          |               |





Combination instrument wiring harness Rewaco FX

Date 30.08.2005

since Oct. 05

